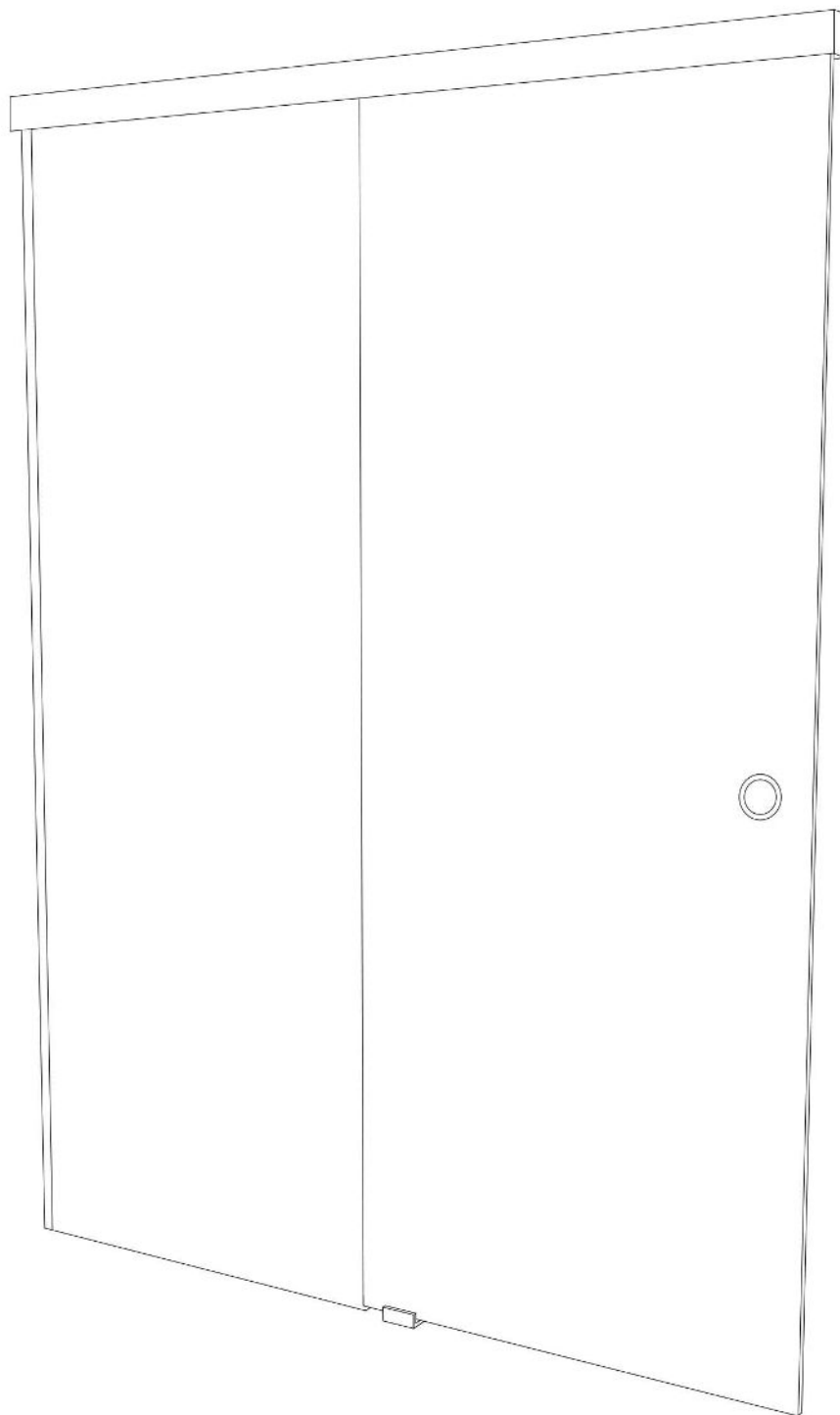




SOFIA

Sliding Shower Screen System with Soft Close

Installation Manual



@ELITEGLASSOLUTIONS

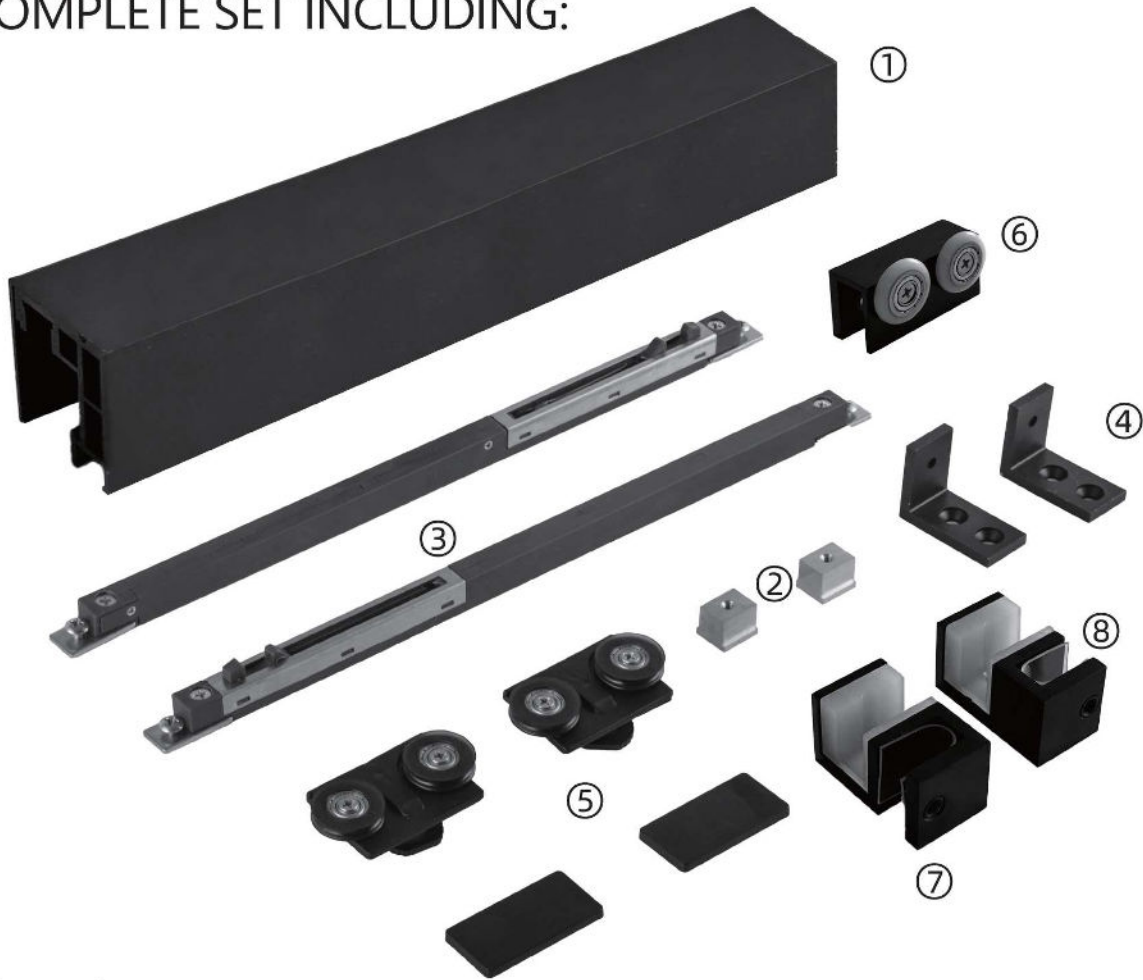


SOFIA

Sliding Shower Screen System with Soft Close

Installation Manual

COMPLETE SET INCLUDING:



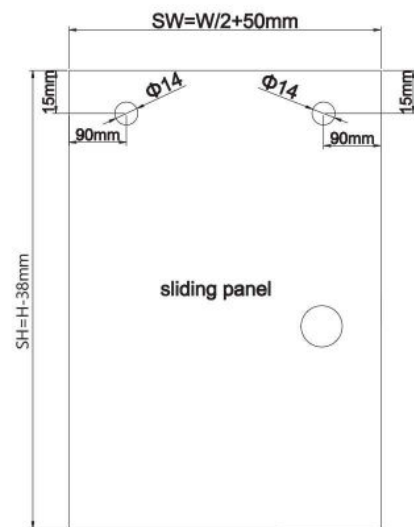
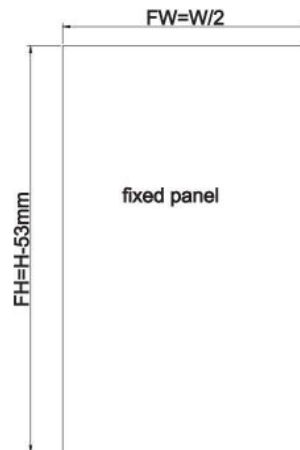
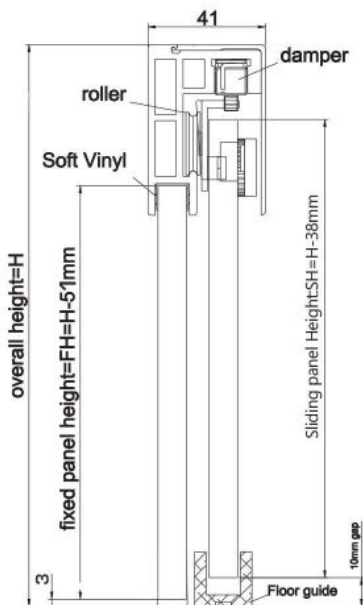
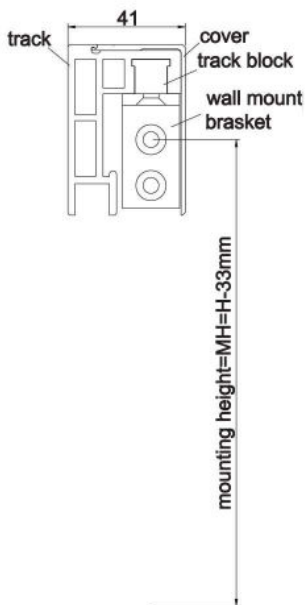
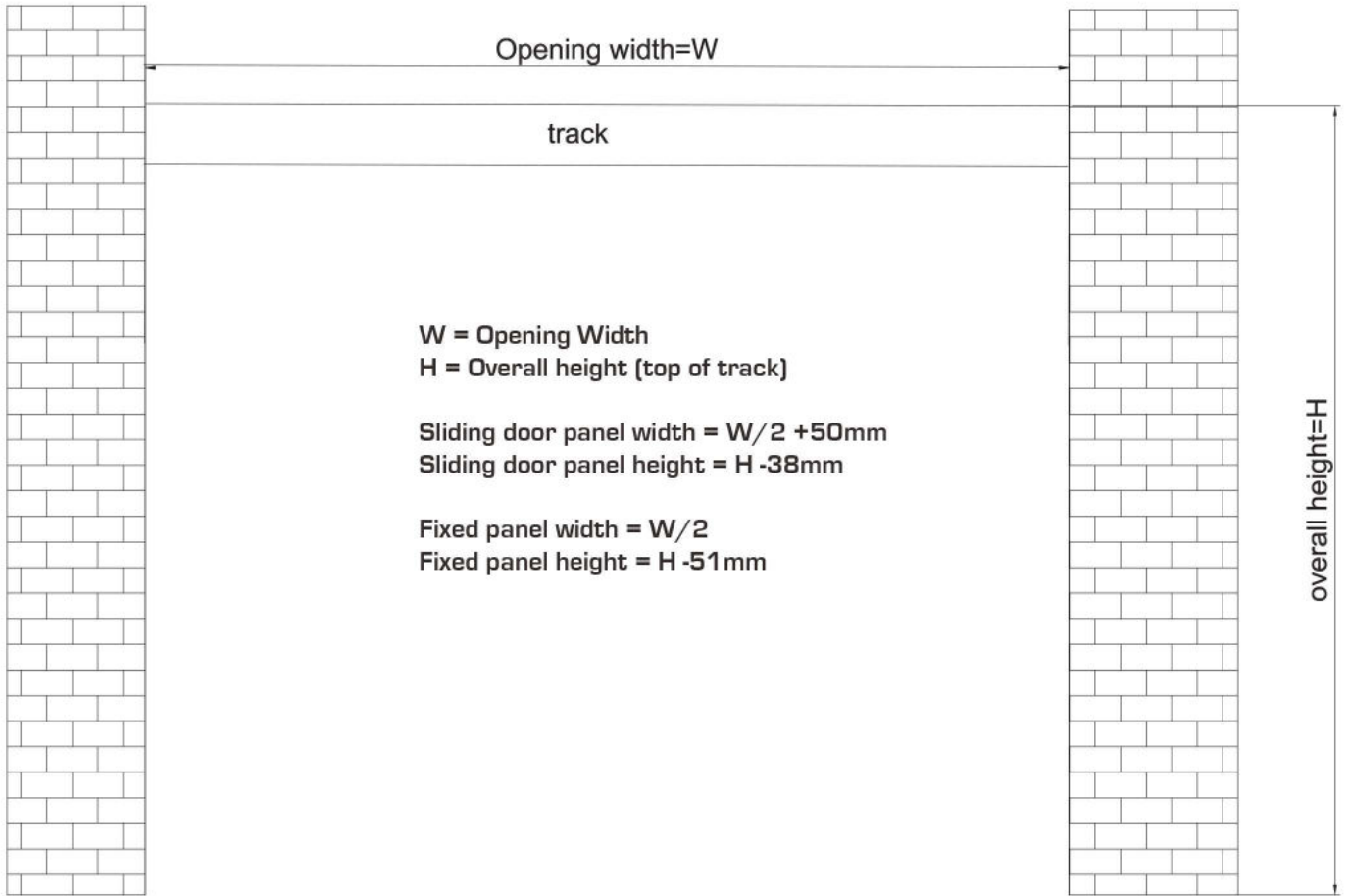
- ① Track x1
- ② Track block x2
- ③ Damper x2
- ④ Wall mount bracket x2
- ⑤ Roller x2
- ⑥ Anti-derail wheel x 1
- ⑦ Left floor guide x 1
- ⑧ Right floor guide x 1



SOFIA

Sliding Shower Screen System with Soft Close

Installation Manual





SOFIA

Sliding Shower Screen System with Soft Close

Installation Manual

Step 1: Cut the overhead track to length. Track length=W

Step 2: Using a laser level line tool, measure and mark the mounting height for brackets. Bracket mounting height = $H - 33\text{mm}$ (the upper hole)

Step 3: Drill fixing holes into the substrate and install brackets.

Step 4: Place the track onto the brackets. Check and ensure the track is level.

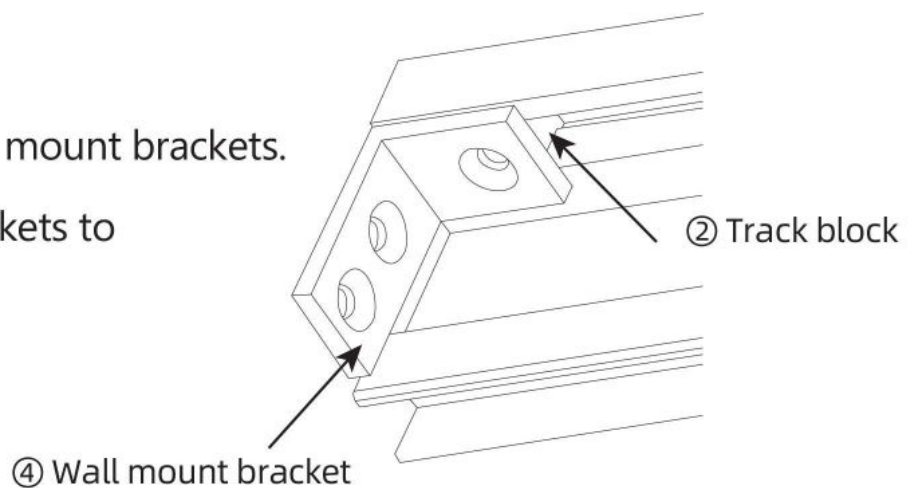
Remove the track.

Step 5: Install the blocks and dampers into the track.



Step 6: Put the track on the wall mount brackets.

Use the screw to secure the brackets to the blocks inside the track.





SOFIA

Sliding Shower Screen System with Soft Close

Installation Manual

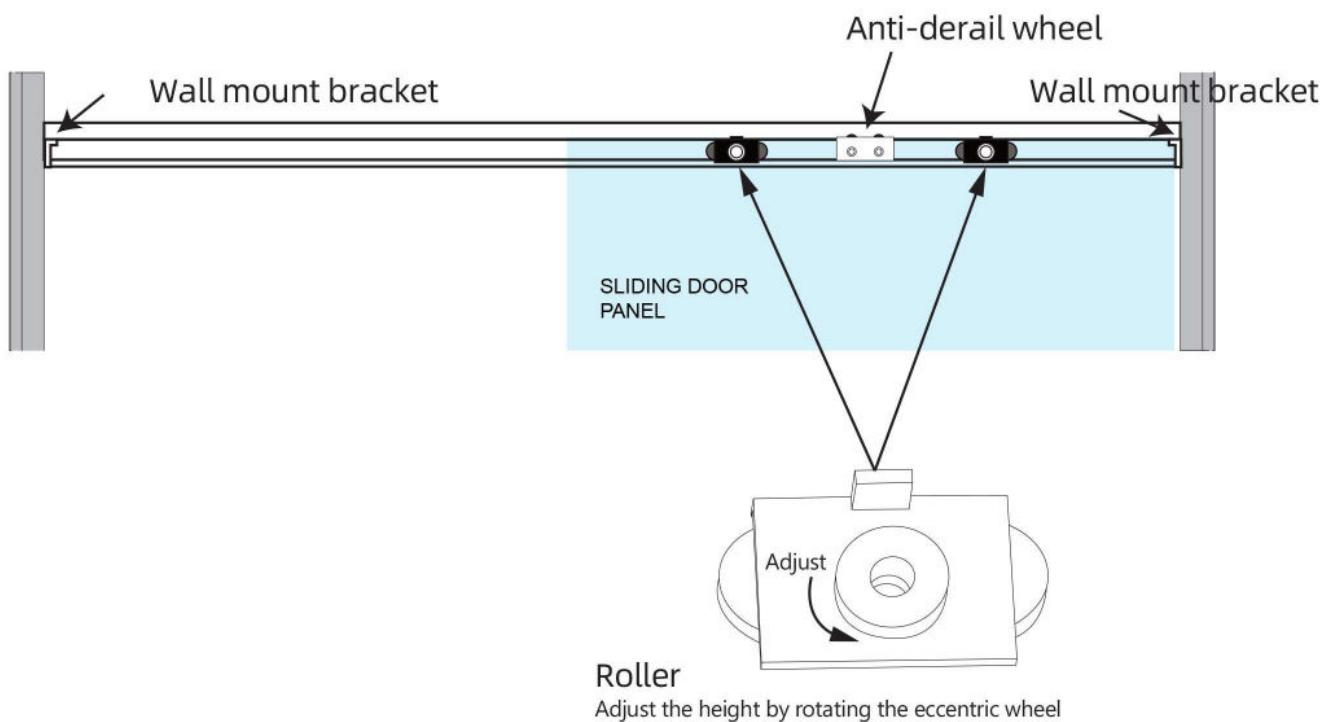
Step 7: Install fixed panel

Step 8: Install rollers and anti-derail wheel onto the door panel

Step 9: Hang the door panel onto the track and fix the floor guide into place.

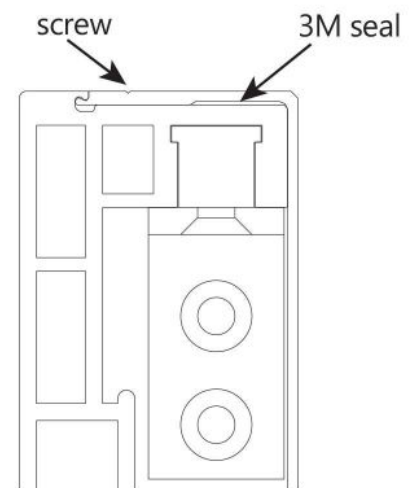
Step 10: Adjust the height and level of the door by rotating the eccentric cams on the roller wheels.

Step 11: Adjust the soft-close dampeners location, setting the door's open and closed positions.



Step 12: Adjust the anti-derail wheel upwards to prevent the door lifting off the track and tighten the adjustment screw.

Step 13: Install the track cover plate using double-sided tape or screws.



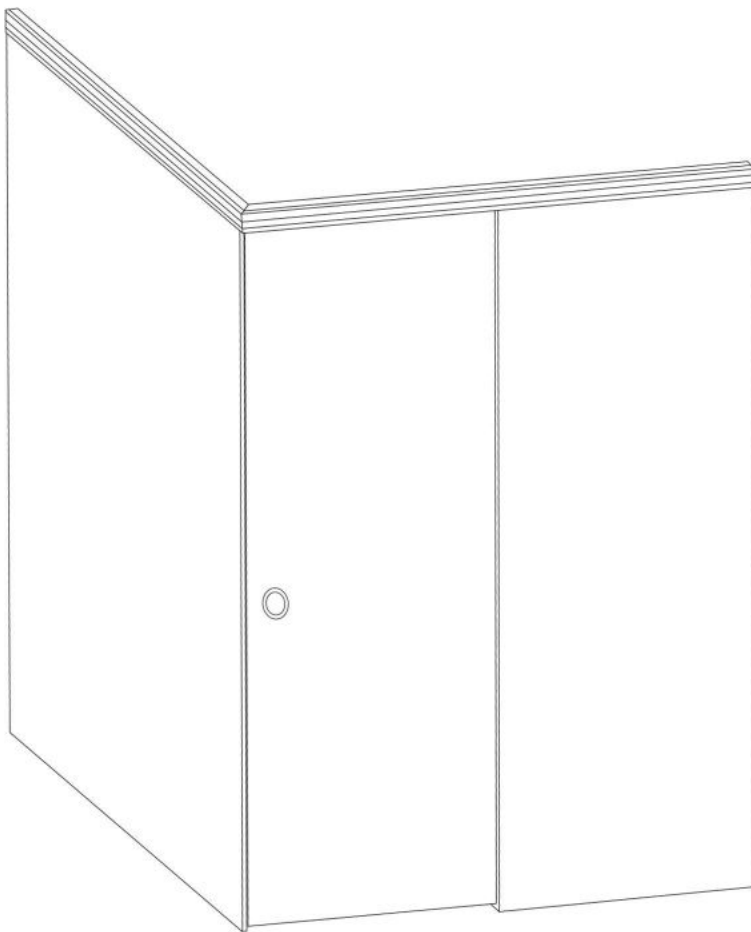


SOFIA

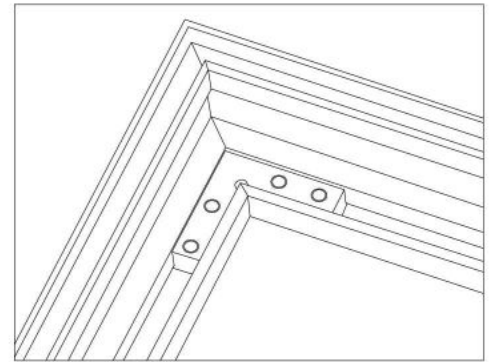
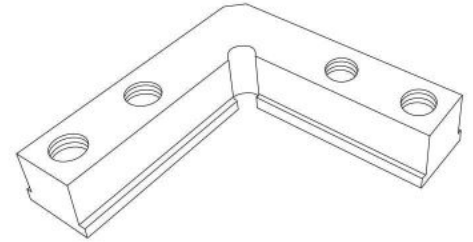
Sliding Shower Screen System with Soft Close

Installation Manual

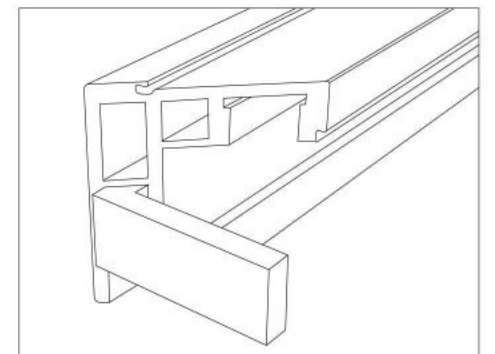
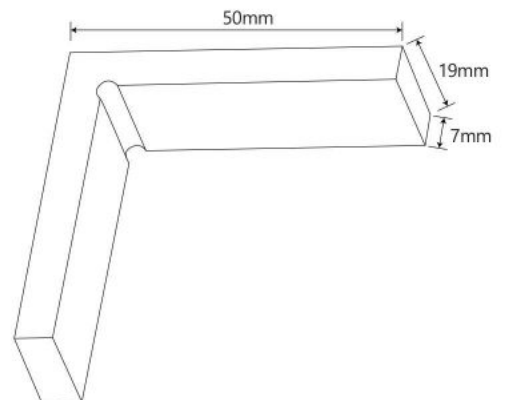
When installed with a 90° glass return, cut 45° of the track and cover, and connect with connector



Optional connector: 601TR-CNT1



Optional connector: 601TR-CNT2





SOFIA

Sliding Shower Screen System with Soft Close

Installation Manual

