

ODC-680

Overhead Door Closer

Surface Mounted

GCC[®]



BS EN 1154: 1996+A1 : 2002

BS EN 1634: part3 : 2000

Power Selectable

EN 2~EN 4





ODC-680 series ideally suit for most Common door for architectural and Commercial applications.

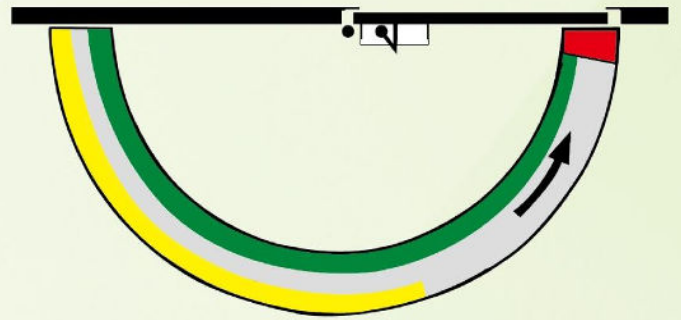
- ⊙ Three different power adjustable(EN2~4) for interior or exterior doors.
- ⊙ Suitable for LH(left hand) and RH(right hand) doors.
- ⊙ Non-handed Installation.
- ⊙ **Backcheck optional.**

Construction & Technical Details

- ⊙ Body Constructed with precision die-cast aluminium alloy, and steelarm Passively against rust & high quality steel internal Components.
- ⊙ Compact design with minimized projection allowing installation to door having adjacent return wall at 90° .
- ⊙ Heat treated steel rack & pinion immersed in high grade oil operate a nest of coils to give a smooth precise action & minimum wear.
- ⊙ Extra tensile strength alloy steel springs.
- ⊙ A built-in pressure relief valve protects the closer against abuse usage.
- ⊙ Stable hydraulic fluid-low sensitivity to temperature change.
- ⊙ Totally reversible without adjustment.

Date & Features

Closing Force, Spring Strength	EN2~4
Standard Door Width:	850~1100mm
Standard Door Weight:	40~80kgs
Max. Opening Angle:	EN2~3 180° EN4 105°
Closing Speed Adjustable:	180°~15°
Adjustable Latching Action:	15°~0°
Backcheck from approx:	70°~180°



⊙ Certificates & Approvals

- .BS EN 1154: 1996+A1 : 2002
- .BS EN 1634: part 1 & 3 : 2000
- .CE Mark.

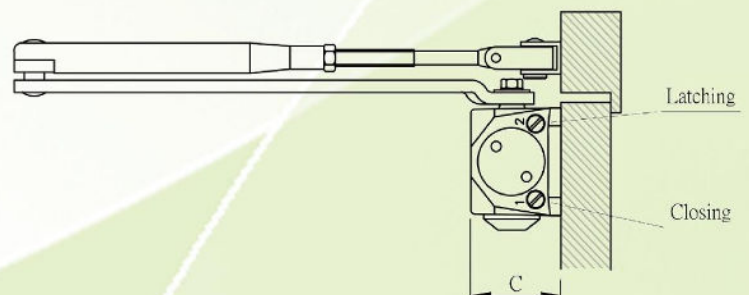
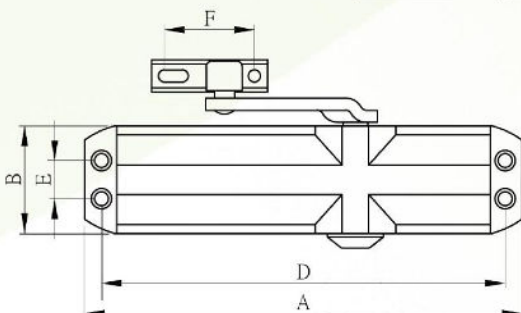
⊙ Finishes

- .Baked Painted: Silver, White, Black, Brown, Gold.
- .Other Colors upon request.

⊙ Dimension

unit:mm

NO.	A	B	C	D	E	F
ODC-680	219	53	45	202	19	45

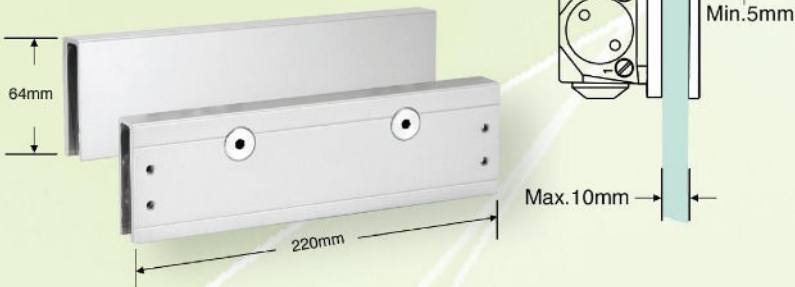


ODC-680B Overhead Door Closer (Body only)



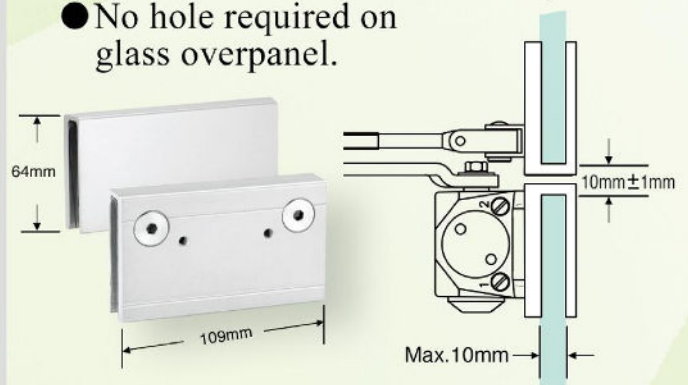
FP-03 Saddle Plate

- For fix ODC-680 Door Closer on glass door panel.
- No hole required on glass door panel.



FP-04 Saddle Plate

- For fix Standard Arm on overpanel.
- No hole required on glass overpanel.



AM-6801 Standard Arm



AM-6802 Hold Open Arm

- Angle adjustable



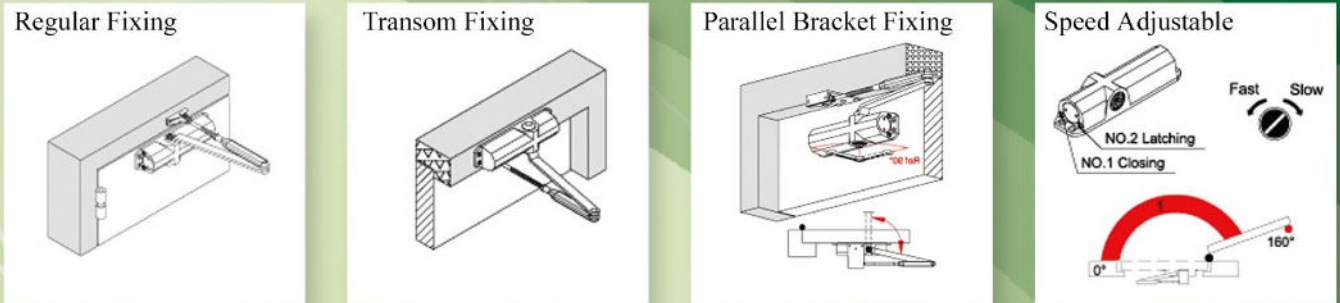
PC-68 Plastic Cover (optional)



PB-01 Parallel Bracket



ODC-680 Installation Type



● Detail installation instructions packed with closer.

Door Controllers



● **GTS-850**



● **ODC-680**



● **ODC-730**



● **GTS-650**



● **GTS-840**
Spindle Fixed



● **GTS-840**
Spindle Interchangeable

For products detail information or technical assistance, please contact your nearest **GCC** distributors.



GOOD CREDIT CORPORATION

No.13, Longmen Rd., Situn Dist., Taichung 40757, Taiwan
 Mailing Address: P.O. BOX 1700, Taichung 40099, Taiwan
 E-mail: gcctw@ms7.hinet.net
 TEL: 886-4-22583755 (Hunting Line)
 FAX: 886-4-22583753
<http://www.gcctw.com.tw>

Agent/Distributor

