

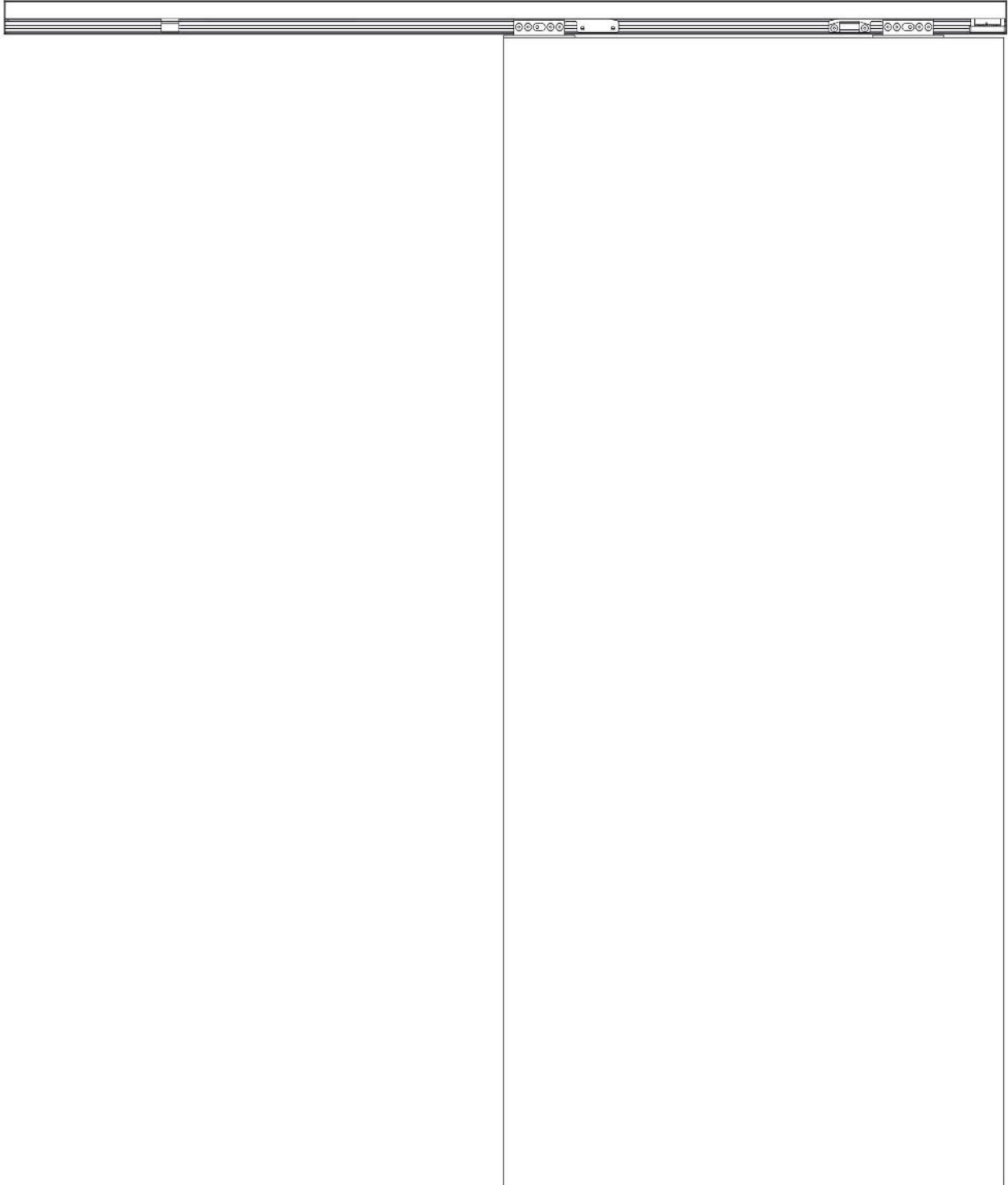


# GLIDEX

AUTOMATIC SINGLE / DOUBLE  
SLIDING DOOR SYSTEM



@ELITEGLASSOLUTIONS





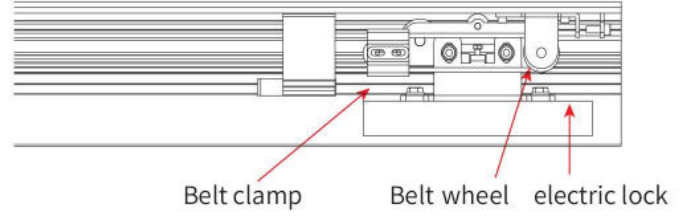
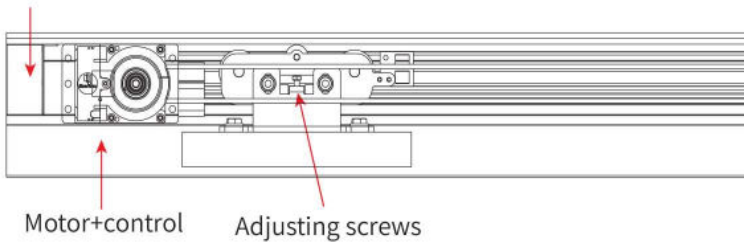
# GLIDEX

AUTOMATIC SINGLE / DOUBLE  
SLIDING DOOR SYSTEM



@ELITEGLASSOLUTIONS

power supply

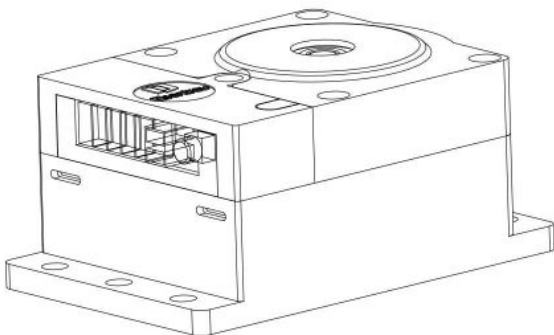
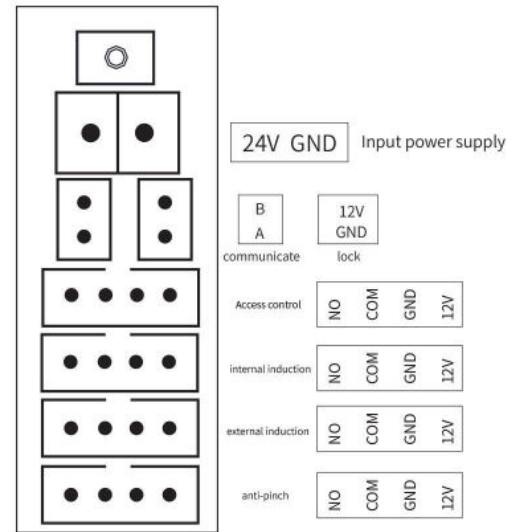


**Note:** When using facial recognition access control, an external power supply must be used. Power must not be supplied directly from the device.

**Anti-pinch function:** When an anti-pinch signal is detected, the door leaf will remain open.

If the combined current draw of the access control interface, internal/external sensor interfaces, and anti-pinch interface exceeds 1A, an external power supply is required.

The electric lock interface supports a maximum output of 12V DC, 1A. If the lock current exceeds 1A, a compatible lower-current lock or external relay/power supply must be used.



Opening and closing type	Single door	Double door
Door leaf weight (kg) x leaf	150kgx1	100kgx2
Door leaf width	Minimum width 650mm, maximum width 1300mm	
Door opening / closing speed	200mm/s—400mm/s	
Door opening time	0-30s Adjustable	
Input voltage and rated power	Voltage:110-240v power:100w	
Manual thrust	20N	
Motor type	Permanent magnet synchronous motor	
Maximum torque	1.2 Nm	

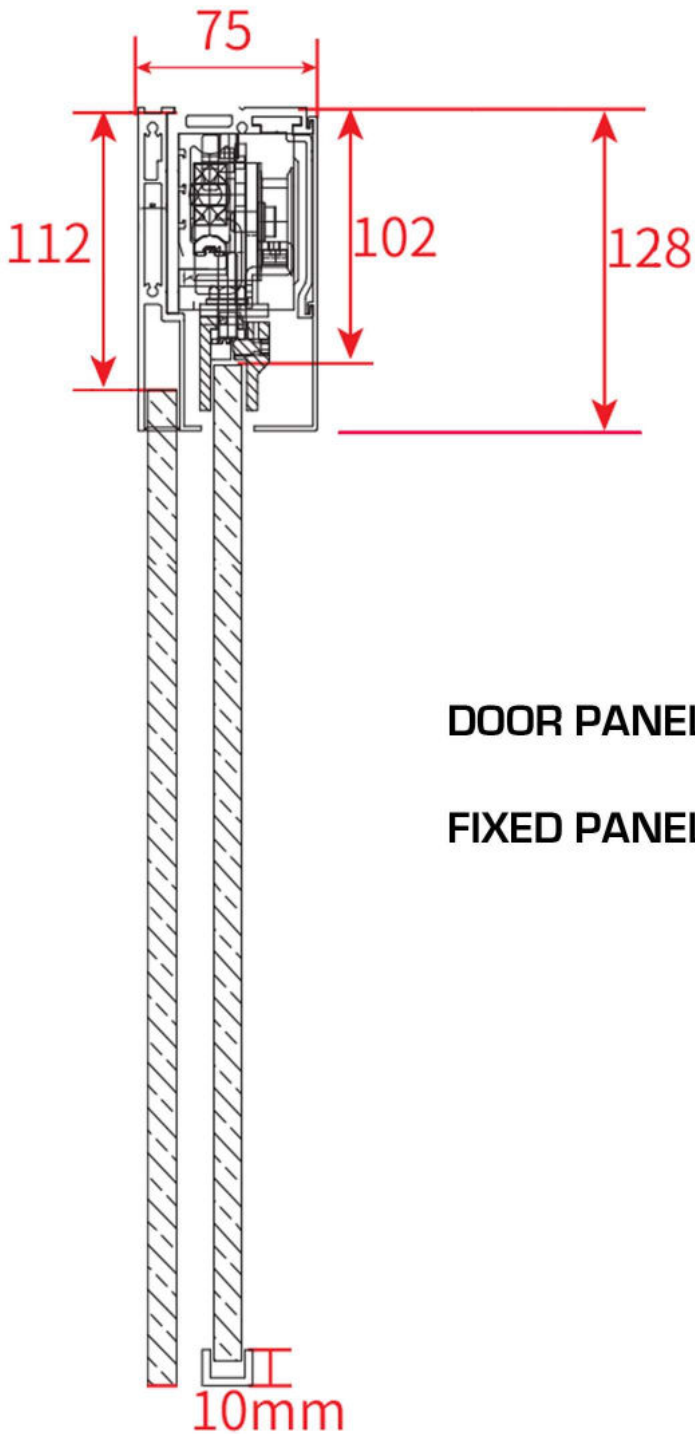


# GLIDEX

AUTOMATIC SINGLE / DOUBLE  
SLIDING DOOR SYSTEM



## GLASS DEDUCTIONS



**DOOR PANEL HEIGHT = O/A Height - 112mm**

**FIXED PANEL HEIGHT = O/A Height - 115mm**



# GLIDEX

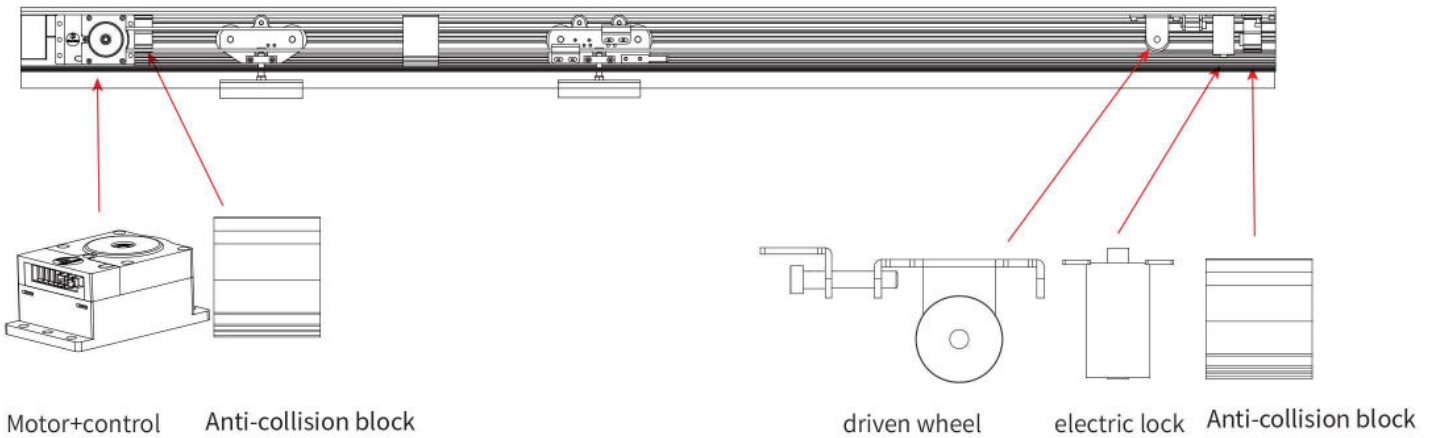
AUTOMATIC SINGLE / DOUBLE  
SLIDING DOOR SYSTEM



@ELITEGLASSOLUTIONS

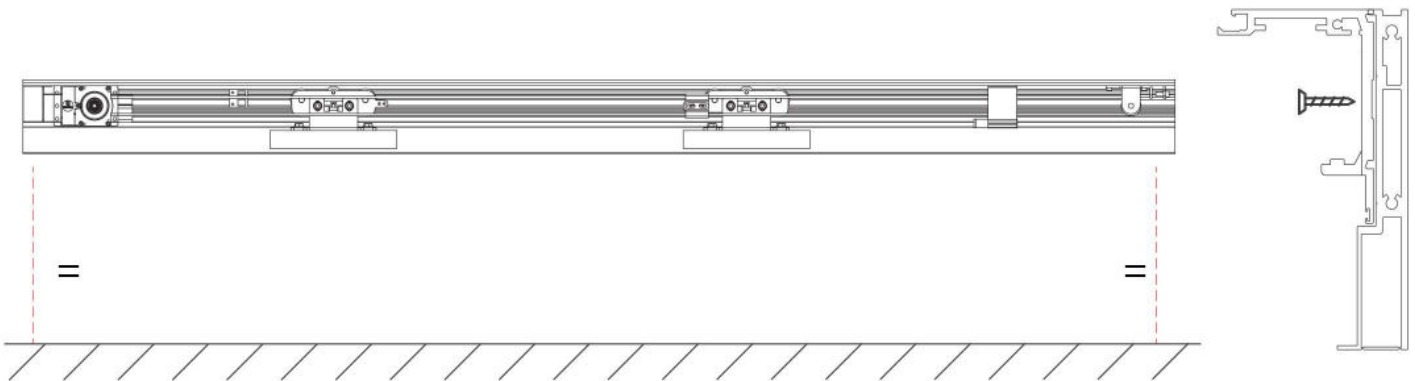
## INSTALLATION OF ACCESSORIES

Install the motor and power supply unit to the track using the supplied screws through the corresponding holes.



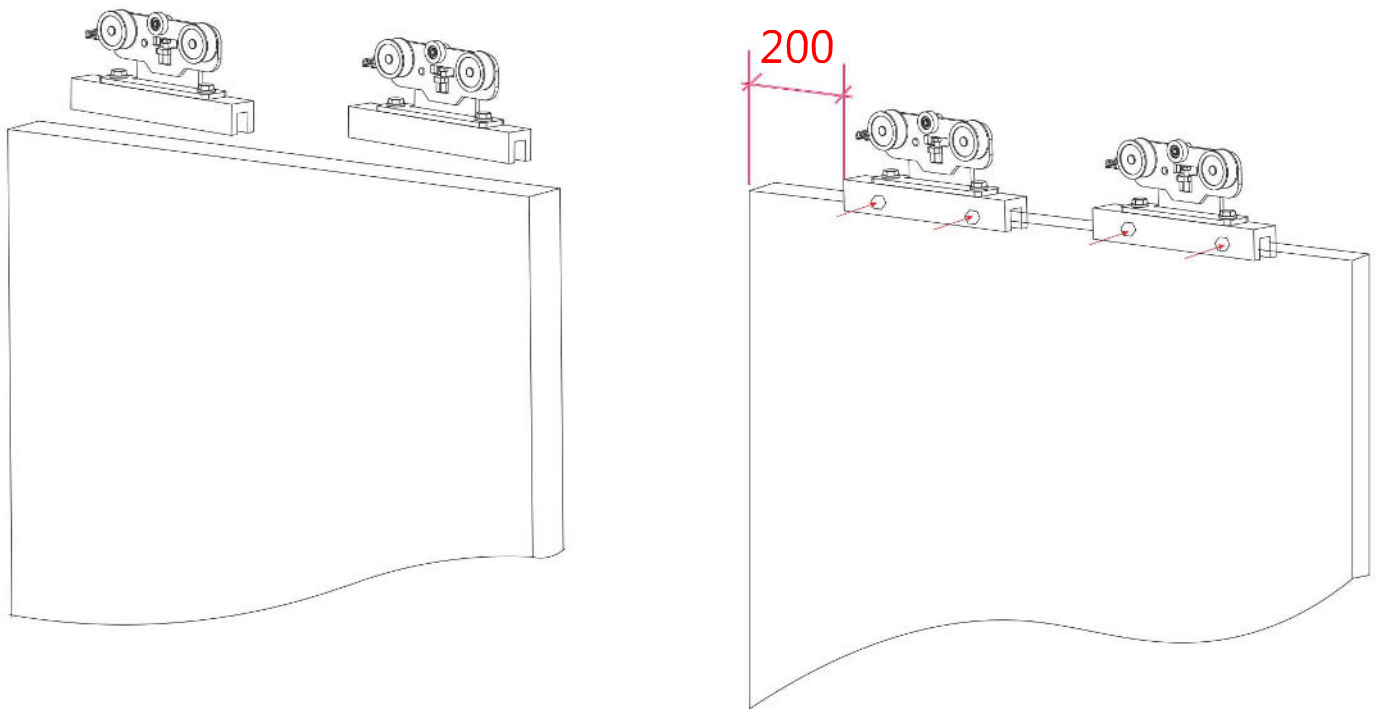
## INSTALLATION OF TRACK

Making sure that the track is level, fix it in place using screws or anchors suitable for the substrate and system weight. Fixing centres should not exceed 300mm



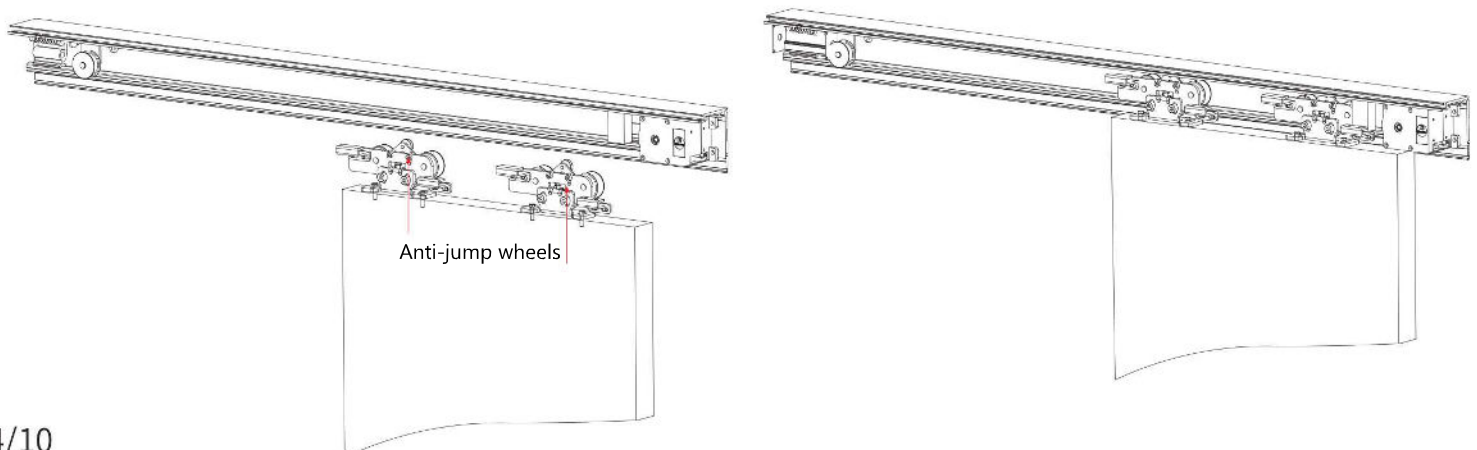
## INSTALL THE ROLLER CARRIAGES

Clamp the roller carriages to the door panel.  
A minimum offset of 200mm is required to clear the motor and power supply.



## HANG THE DOOR PANEL

Loosen the anti-jump wheel adjusting screw.  
Hang the door, ensuring the wheels are correctly engaged with the track.  
Raise the anti-jump wheel against the top of the track to ensure the wheels cannot disengage with the track when in motion.



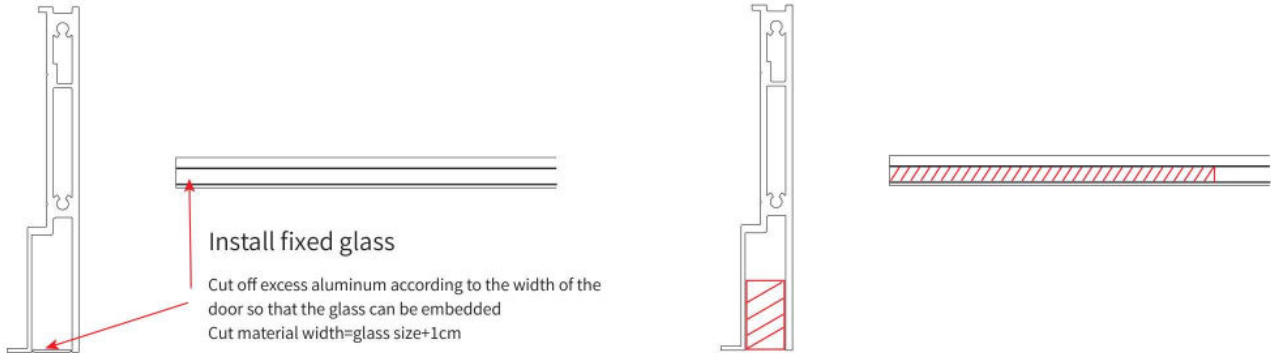


# GLIDEX

AUTOMATIC SINGLE / DOUBLE  
SLIDING DOOR SYSTEM

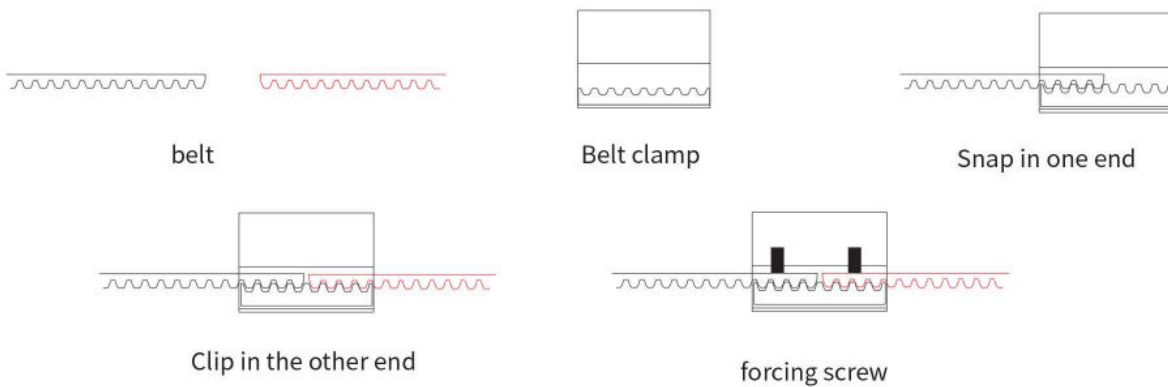


## INSTALL THE FIXED PANEL

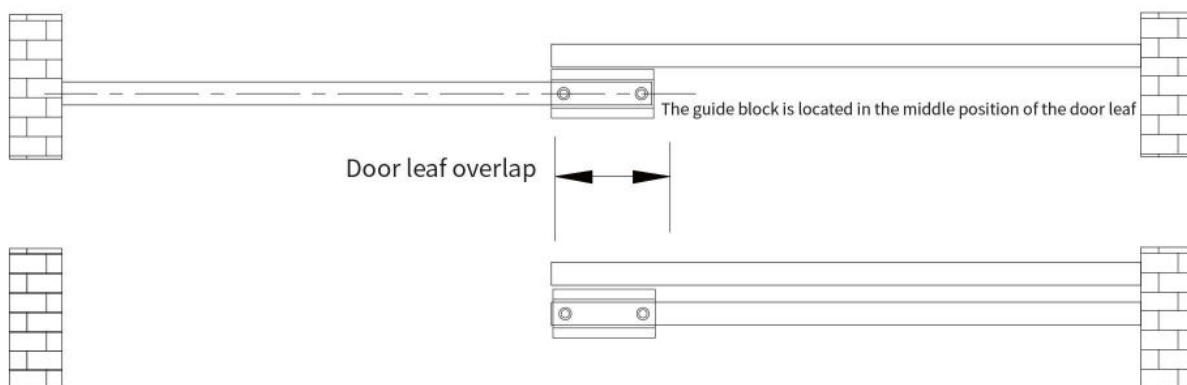


## INSTALL THE DRIVE BELT

Pass the belt through the motor and drive wheel.  
Trim to length if required.  
Secure both ends of the belt in the belt clamp as shown below.



## INSTALL THE FLOOR GUIDE





# GLIDEX

AUTOMATIC SINGLE / DOUBLE  
SLIDING DOOR SYSTEM



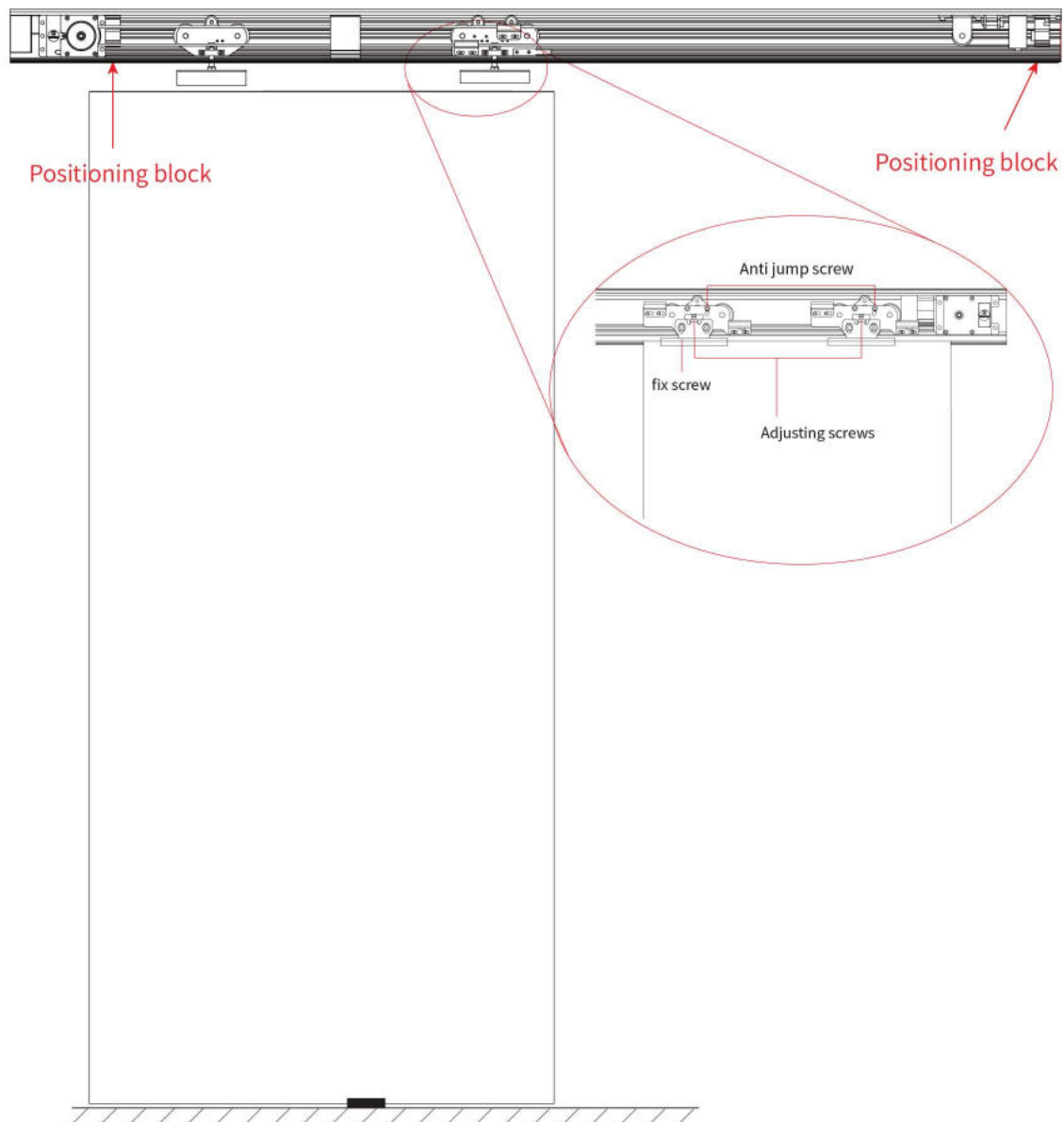
## DOOR PANEL ADJUSTMENTS

Loosen the anti-jump wheel fixing screw.

Adjust the height of the door using the height adjusting screws on each roller.

Readjust the anti-jump wheel against the top of the track and retighten the fixing screw.

Loosen the screws on the positioning blocks and adjust the location of the blocks to stop the door at the desired open and closed positions. Retighten all screws.





# GLIDEX

AUTOMATIC SINGLE / DOUBLE  
SLIDING DOOR SYSTEM

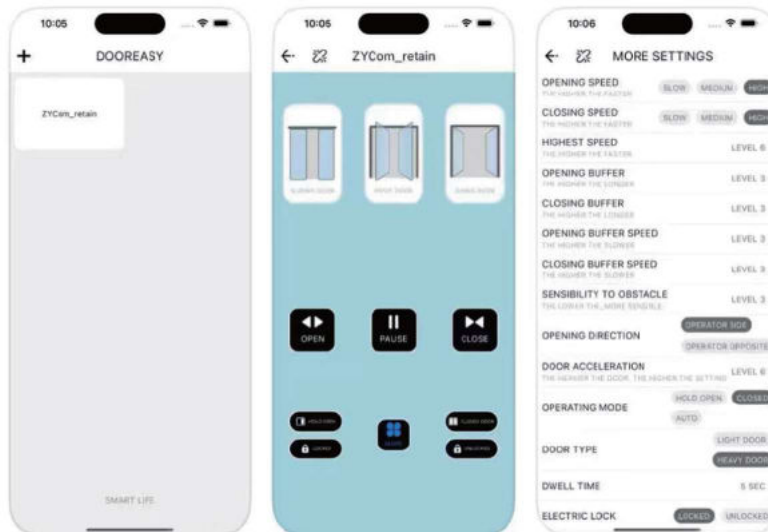
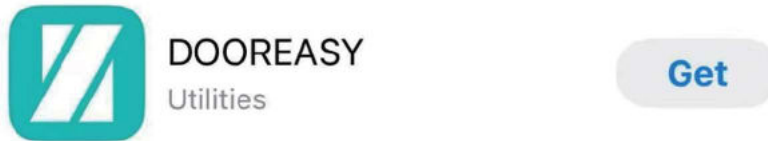


@ELITEGLASSOLUTIONS

## SETUP PROCESS

Once the product installation is complete, power on the Glidex system and allow it to perform the self-learning process.

Download and install the DOOREASY App from Apple iTunes or Google Play Store.





# GLIDEX

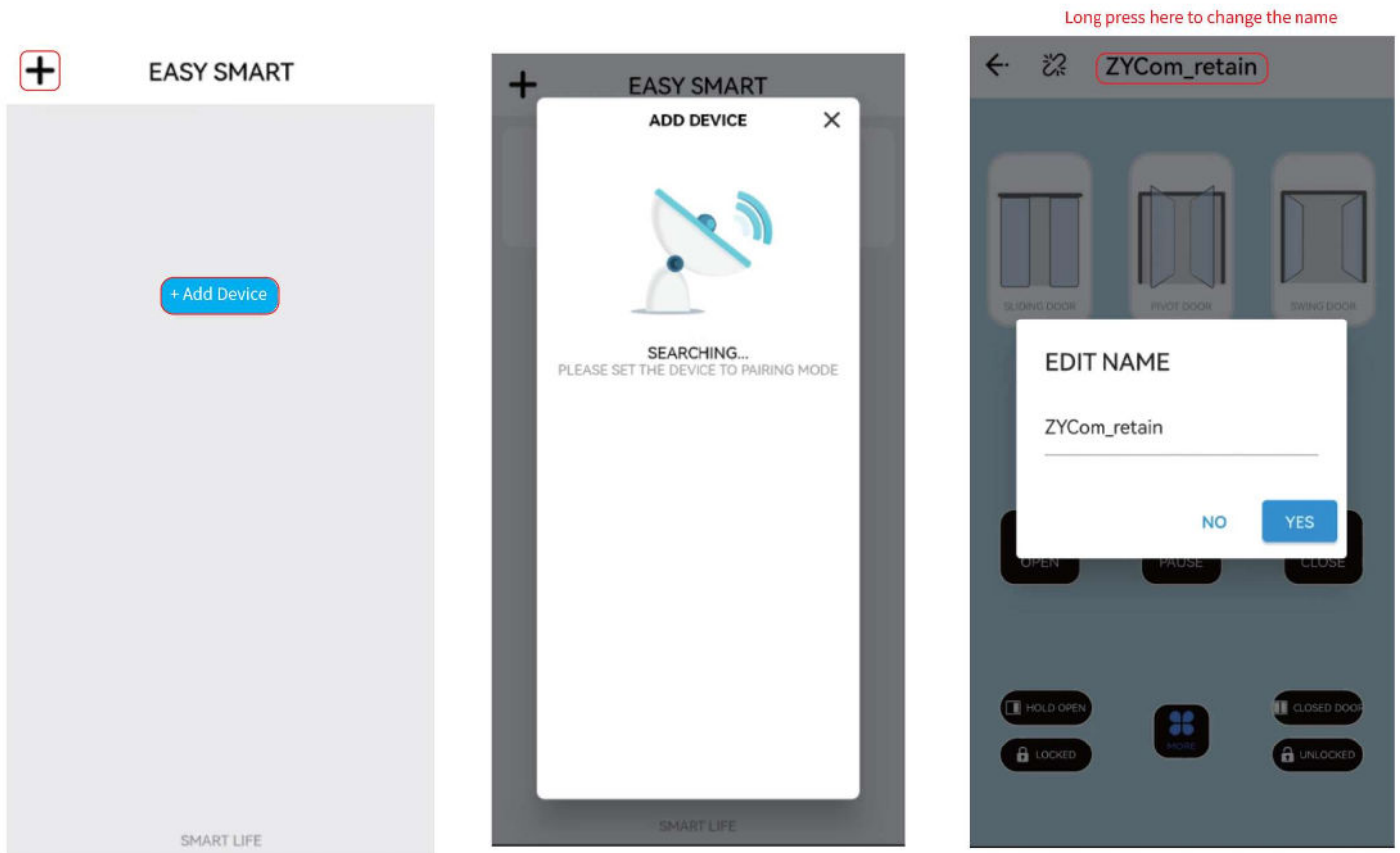
AUTOMATIC SINGLE / DOUBLE  
SLIDING DOOR SYSTEM



Ensure that bluetooth is enabled on your mobile device and that the Glidex is powered on.

Click on the [Add Device] button and select the system when it appears.

Once selected, you can rename each system by long pressing on the system name.



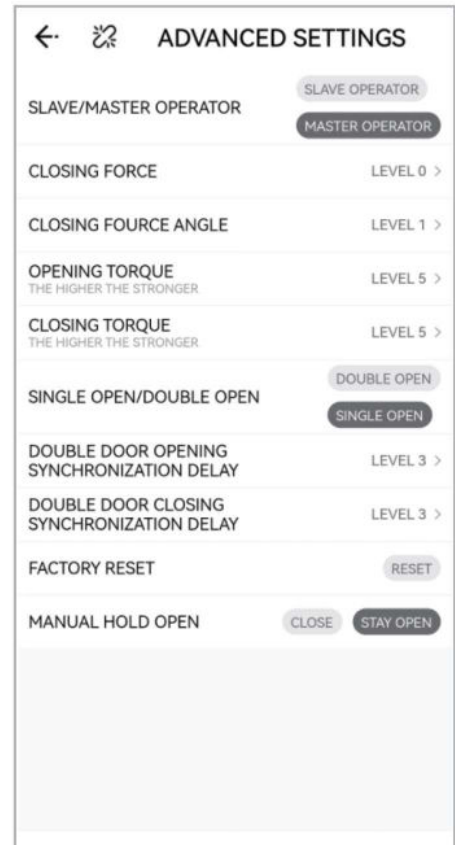
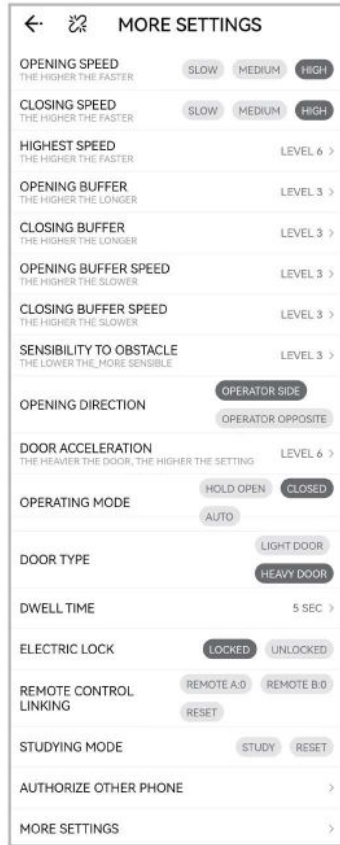
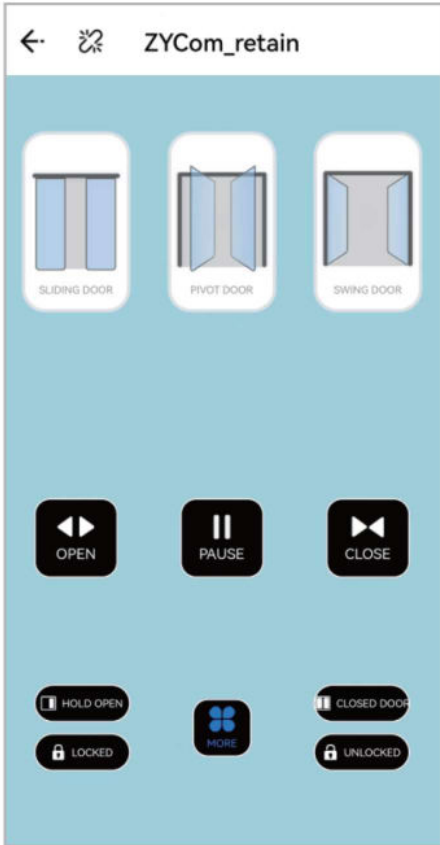


# GLIDEX

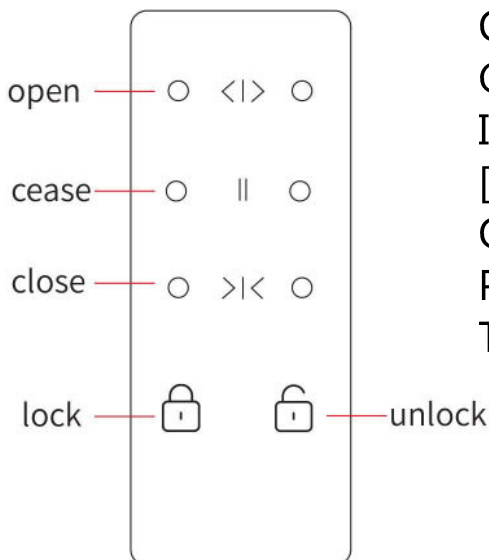
AUTOMATIC SINGLE / DOUBLE SLIDING DOOR SYSTEM



After the device is successfully connected, all settings can be adjusted to suit site requirements or personal preference.



## PAIR THE REMOTE CONTROL



Open the DOOREASY app and wait for the Glidex system to pair with the app. In the app, click on the [More] button and select [Add Remote Control]. Once the Glidex system emits a chime, press the PAUSE button on the remote control. The remote is now paired with the Glidex system.



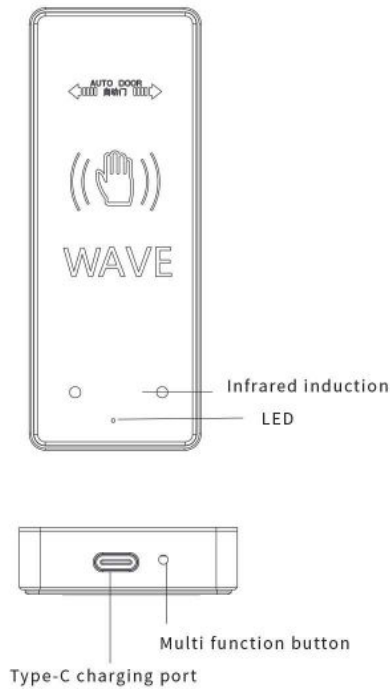
# GLIDEX

AUTOMATIC SINGLE / DOUBLE  
SLIDING DOOR SYSTEM



@ELITEGLASSOLUTIONS

## PAIR THE TOUCH-FREE REMOTE CONTROL



Press and hold the Multifunction Button on the bottom of the touch-free remote to power it on.

Open the DOOREASY app and wait for the Glidex system to pair with the app.

In the app, click on the [More] button and select [Add Remote Control].

Once the Glidex system emits a chime, press the PAUSE button on the remote control.

The remote is now paired with the Glidex system.

## WARNING

In the case of a power failure, the system will automatically run the self-learning process once the power is restored.

In case of door obstruction during the self-learning process, please switch off the power at the power supply, switch back on and allow the self-learning process to be performed without obstructing the doors.

It is recommended to power down and restart the system twice yearly, allowing it to perform the self-learning process.