

## Available Finish:

PSS : Polished Stainless Steel Cover | MS : Anodized Mat Silver  
 SSS : Stainless Steel Cover | MBK : Anodized Mat Black  
 (Different finish is available by order) | SNK : Anodized similar to hairline stainless steel

LH-86W



PSS

LH-86.2/4



SNK

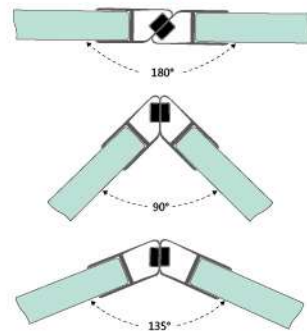


MBK

## Seals (UV resistant)

### MAGNETIC PROFILES(SEALS)

For both 8mm(5/16") and 10mm(3/8") thick glass.  
 For frameless glass to close more tightly.  
 Made of co-extruded material with soft magnetic receiver.  
**8mm & 10mm glass are in different clearance.**



#### PG 10A & PG10B

- 180° glass to glass use PG 10A or PG 10B reverse for polarity.
- Length : 2.2M per length.

#### PG 10A & PG10B

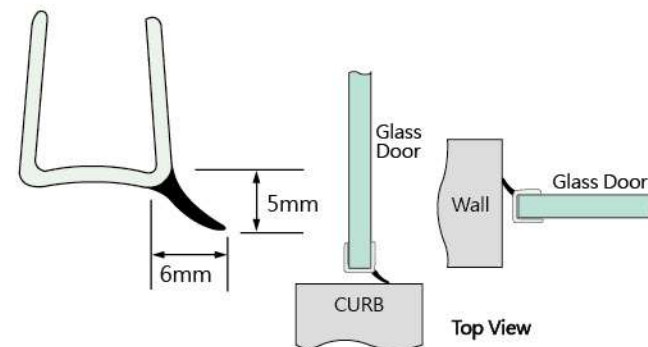
- 90° glass to glass (reverse for polarity).
- Length : 2.2M per length.

#### PG 10D & PG10E

- 135° glass to glass.
- Length : 2.2M per length.

### Seal and Wipe

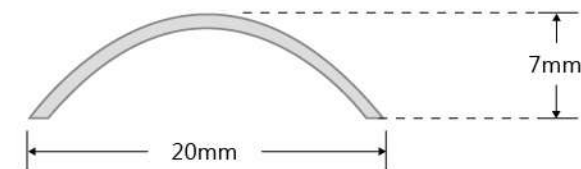
- Snap on door bottom as a wipe.
- Snap on overlapping bi-fold door as a seal.



Code No.	Glass Size
P06 SW	6mm(1/4")
P08 SW	8mm(5/16")
P10 SW	10mm(3/8")

## Accessories

### TH - 01 Shower Door Threshold



- Made by Stainless Steel SUS304 and Mirror polished.(PSS) (standard stock).
- Length : 1000mm per length (standard stock).

Other length available by order.



# LEVER LOCKS AND HINGES TYPE II



# We take great care of many details

**SGS**  
Mechanical & Hardgoods Laboratory

**TEST REPORT**

Report No. : HDN0007/2015  
Page : 1 of 2  
Date : DEC. 07, 2015

**GOOD CREDIT CORPORATION**  
No. 13, Long Men Rd., Situn Dist., Taichung, Taiwan

The following merchandise was submitted and identified by the applicant as:  
Product Description: LEVER HINGE  
Style/Item No.: LH-86  
Country of Origin: TAIWAN

We have tested the submitted sample(s) as requested and the following results were obtained:

Test Requested: Endurance Test

Test Method:

1. Secure the two hinges on the metal door then fixed on the working plane.
2. Open the door by using the gas cylinder to (70 ± 5) degrees angle and close the door to the original position as one cycle.
3. Totally executing 200,000 cycles
4. Weight of metal door: 60 kg
5. Frequency: (10 ± 1) cycles/minute
6. Visual checks the sample for damage.
7. Record any findings.

Test Result: —See following sheet(s) —

Date of Receipt: Nov. 16, 2015

Testing Period: Nov. 16, 2015 – Dec. 07, 2015

Signed for and on behalf of  
SGS Taiwan Ltd.  
Shun Su  
Asst. Manager

**SGS TAIWAN LTD**

This document is issued by the Company subject to its General Conditions of Service printed hereon, available on request or available at: <http://www.sgs.com>. The Company shall not be held responsible for any loss or damage to the merchandise, whether or not insured, arising from the use of the merchandise and/or from the use of the merchandise. The Company's sole responsibility is to certify that the document does not contain any false information. The Company shall not be held responsible for any loss or damage to the merchandise, whether or not insured, arising from the use of the merchandise and/or from the use of the merchandise. The Company's sole responsibility is to certify that the document does not contain any false information. The Company shall not be held responsible for any loss or damage to the merchandise, whether or not insured, arising from the use of the merchandise and/or from the use of the merchandise. The Company's sole responsibility is to certify that the document does not contain any false information.

60 kg door panel

With **two** hinges only

200,000 cycles

Safety and durability



## Salt spray test

5% salt spray test  
compliance with ASTM B117  
test standard

240 hours passed

No oxidation or rust issue

## Applications

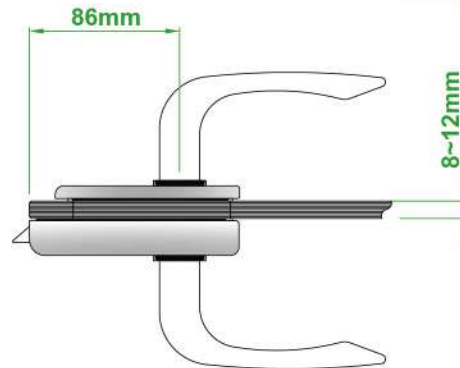
1. Office Doors
2. Living Room Doors
3. Toilet Doors / Shower screens

# LL-24S Lever Lock 8~12mm

## Available Finish:

PSS : Polished Stainless Steel Cover  
 SSS : Satin Stainless Steel Cover

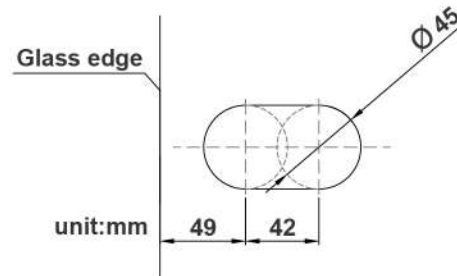
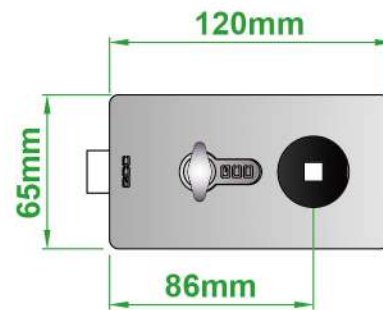
MS : Anodized Mat Silver  
 MBK : Anodized Mat Black  
 SNK : Anodized similar to hairline stainless steel



(SNK finish)



(MBK finish)

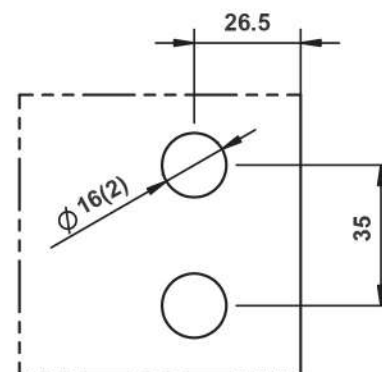
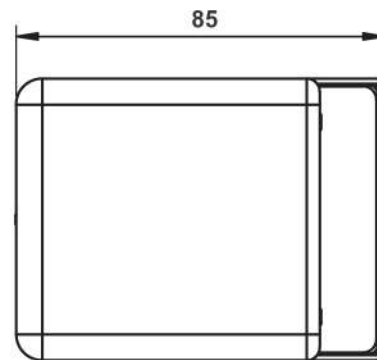


# LL-24SK Strike box

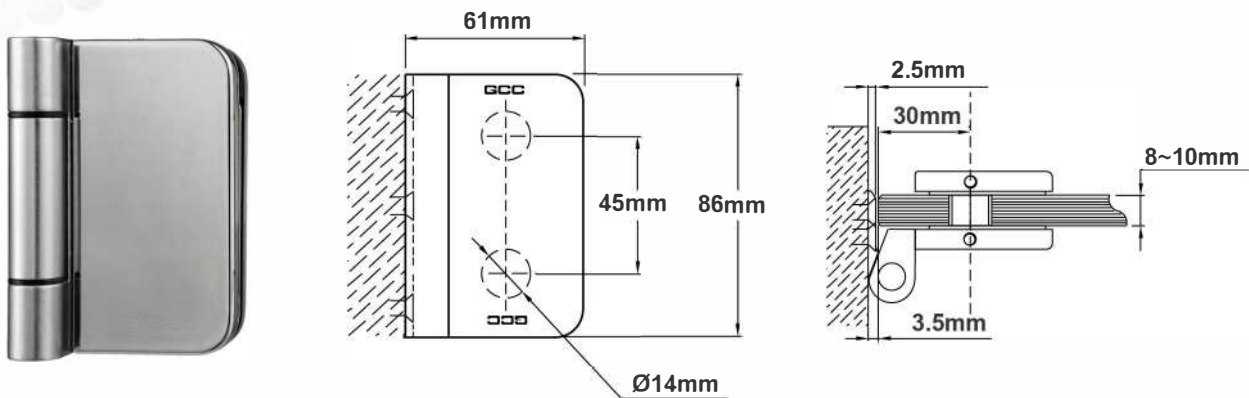
## Available Finish:

PSS : Polished Stainless Steel  
 SSS : Satin Stainless Steel

MS : Anodized Mat Silver  
 MBK : Anodized Mat Black  
 SNK : Anodized similar to hairline stainless steel



# LH-86 Lever Hinge 8~10mm (12mm by order)



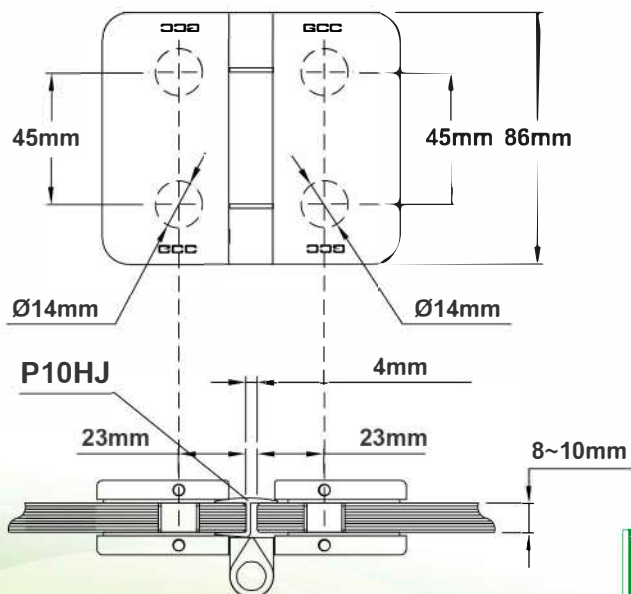
Loading capacity	Door weight $\leq 60\text{kg}$ Door width $\leq 900\text{mm}$	$60\text{kg} \leq$ Door weight $\leq 85\text{kg}$ Door width $\leq 1200\text{mm}$
Hinge required	2 pcs.	3 pcs.

## Applications **1.** Office Door **2.** Living Room Door



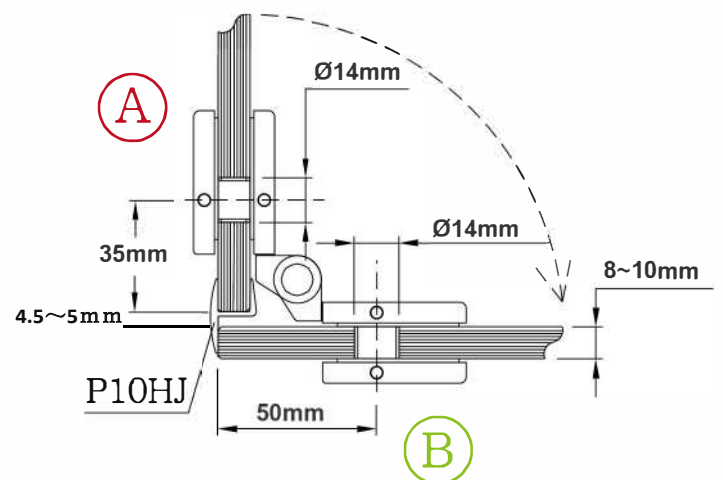
## LH-86.2 8~10mm

(12mm by order) (180° Glass to Glass)



## LH-86.4

(90° Glass to Glass)



Please note that LH-86. 2 & LH-86.4 are the same fitting, but glass notches are different.

**Available Finish:**

PSS : Polished Stainless Steel Cover  
 SSS : Stainless Steel Cover  
 (Different finish is available by order)

MS : Anodized Mat Silver  
 MBK : Anodized Mat Black  
 SNK : Anodized similar to hairline stainless steel

**LH-86**



PSS



MS

**LH-86.2/4**



SNK



MBK



**Door width 1200mm with 3 pieces LH-86 hinges**

# Lever Handles

Accessories for office application



**LLD-201 Lever Handle**

- Material : SUS 304 Stainless Steel (LLD-201/202/203/204/205).
- With 8mm square spindle for all lever locks.



**LLD-203 Lever Handle**

- Material : Drop-Forged Aluminium Alloy(LLD-206/207).
- With 8mm square spindle for all lever locks.



**LLD-204 Lever Handle**

- Finish - PSS : Mirror Polished.
- SSS : Satin Hairline Polished.



**LLD-206 Lever Handle**



**LLD-207 Lever Handle**

- Finish - MS : Anodized Matt-Silver.
- MB : Anodized Matt-Brass.
- MBK : Anodized Matt-Black.
- SNK : Anodized Similar to satin stainless steel.

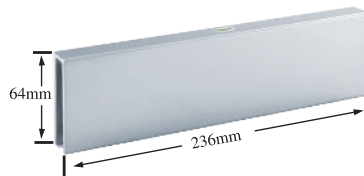
Other color is available by order.

# Door Closers And The Accessories



**ODC-730B**

Overhead Door Closer(Body Only)



**FP-02**

Saddle Plate



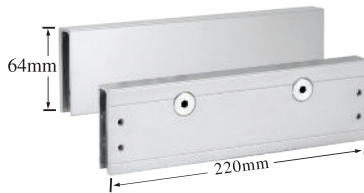
**SLC-01**

Sliding Arm and Channel



**ODC-680B**

Overhead Door Closer(Body Only)



**FP-03**

Saddle Plate



**AM-6801**

Standard Arm

(For more details, please refer to GCC ODC-680 & ODC-730 Overhead Door Closer catalog)

# Other Options



**LL 20**

Lever Lock



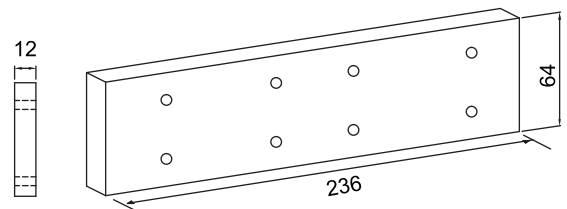
**LLP-403**

Strike Plate



**LL-20K**

Strike Box



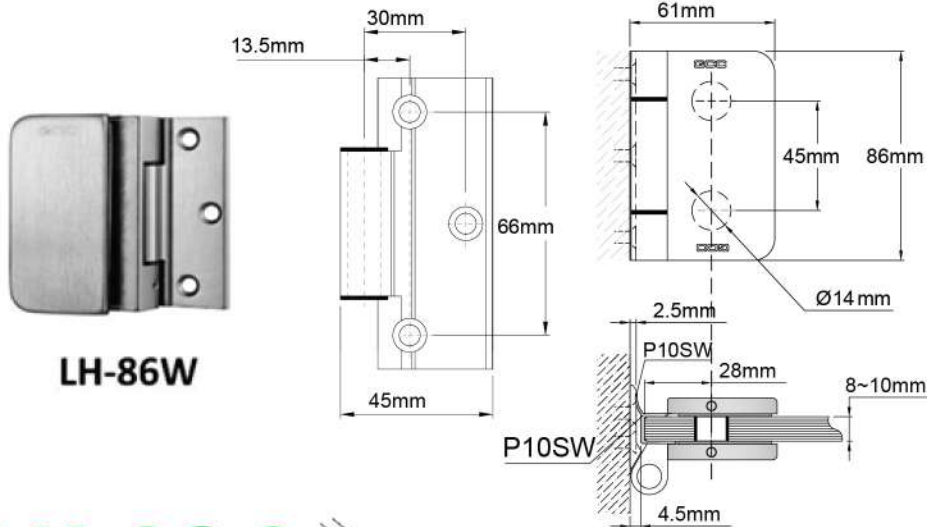
**Packer for ODC-730**

(For more details, please refer to GCC Lever Locks & Hinges Catalog)

# LH-86W Lever Hinge 8~10mm (12mm by order)

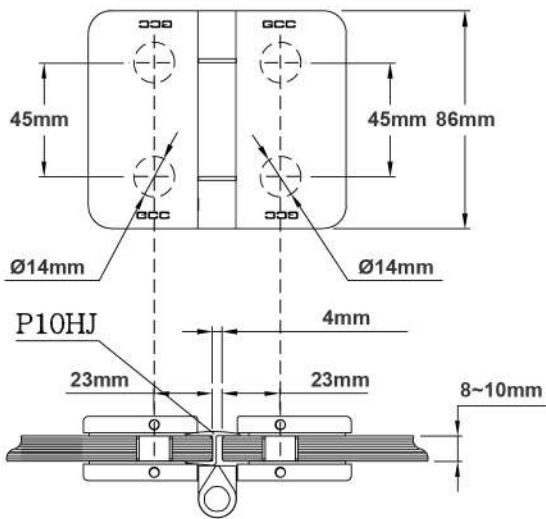
**Shower door solution**

(special design to install a complete PVC seal without cut at pivot side)



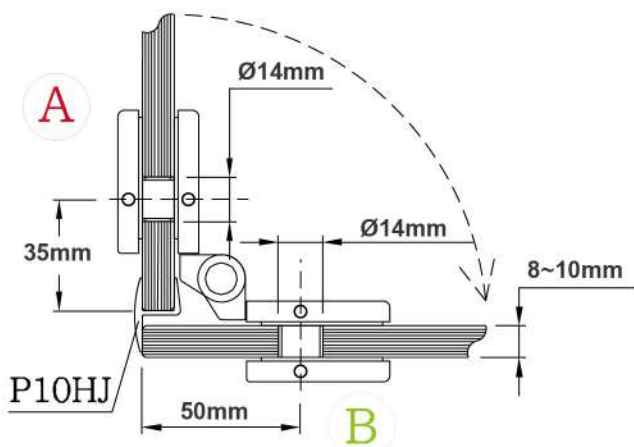
# LH-86.2 8~10mm

(12mm by order) (180° Glass to Glass)



# LH-86.4

(90° Glass to Glass)



Please note that LH-86. 2 & LH-86.4 are the same fitting, but glass notches are different.