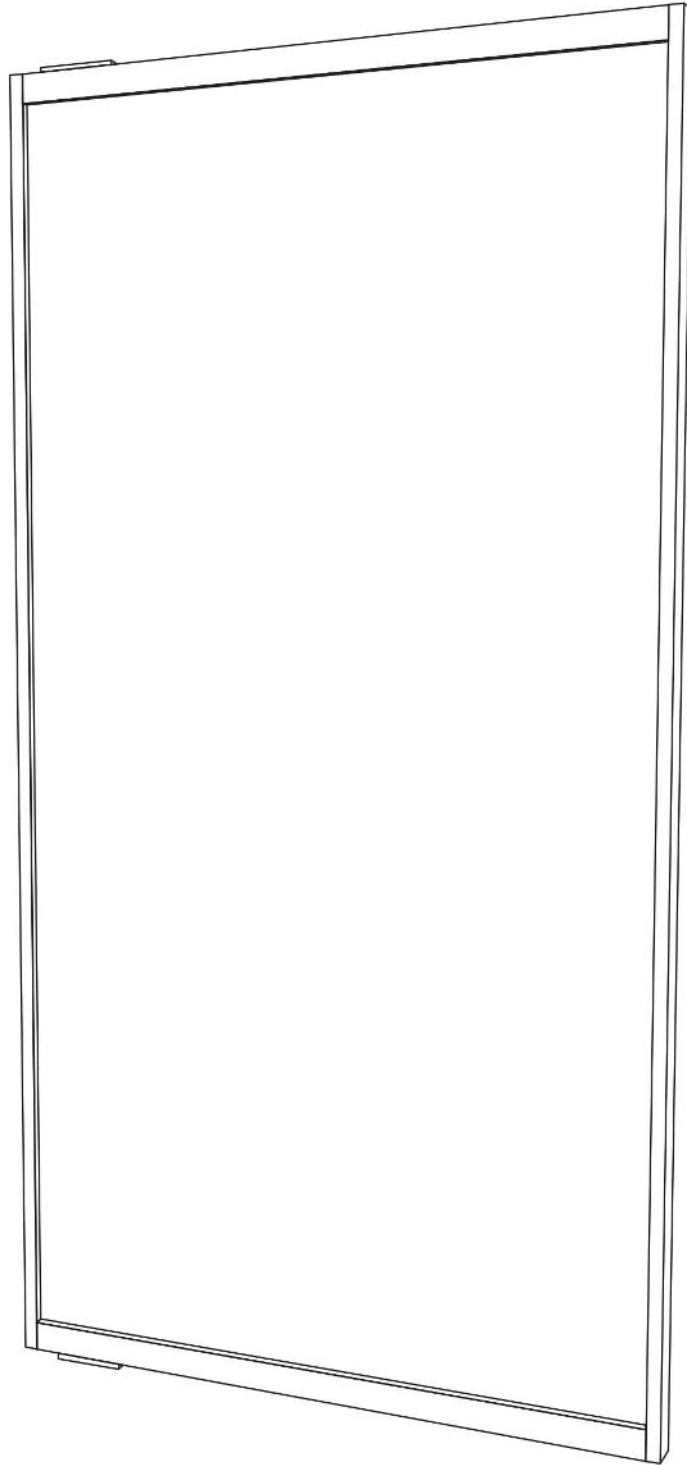




Installation Instructions

Concealed hydraulic pivot framed door system

CHPF



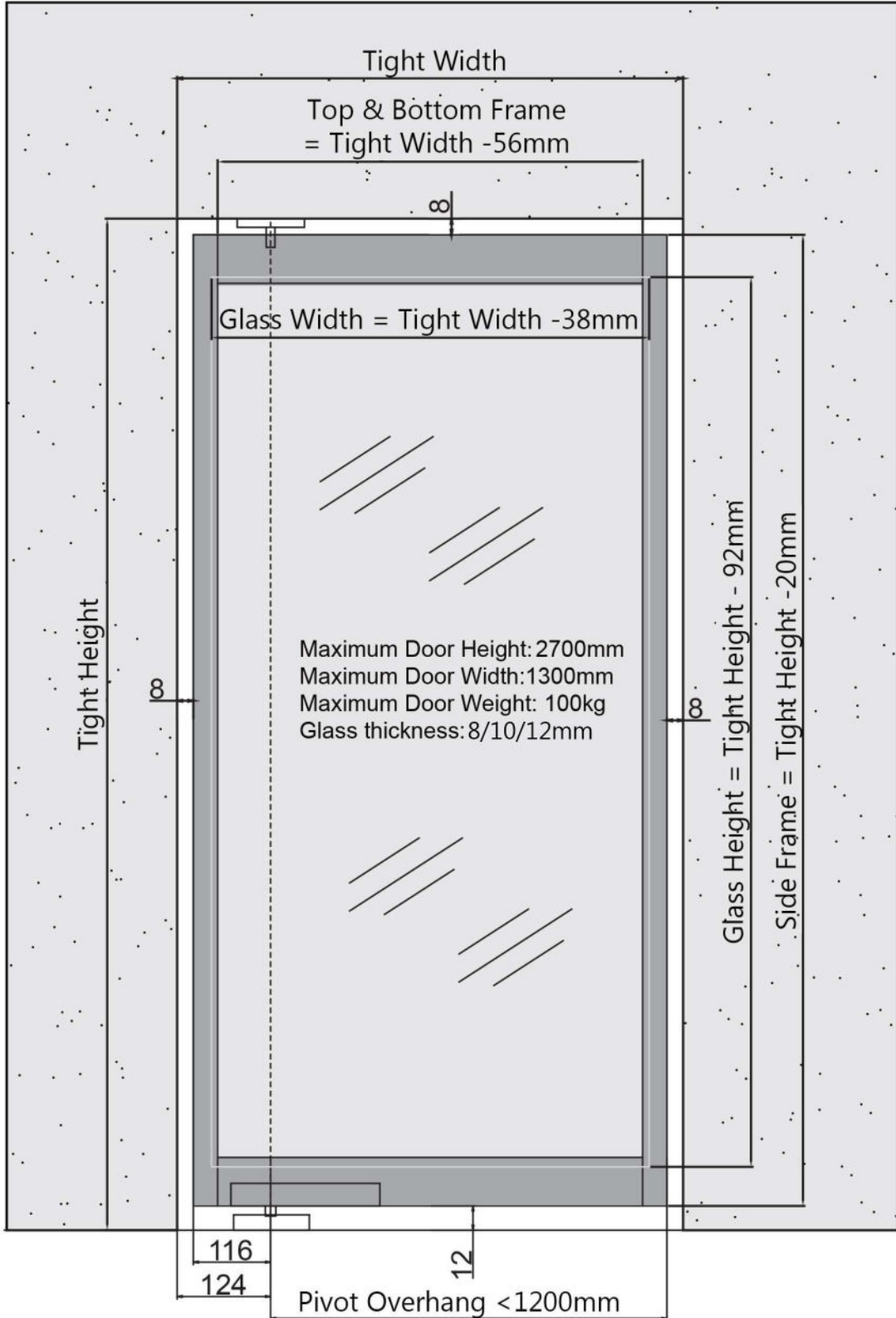
@ELITEGLASSOLUTIONS



Installation Instructions

Concealed hydraulic pivot framed door system

CHPF





Installation Instructions

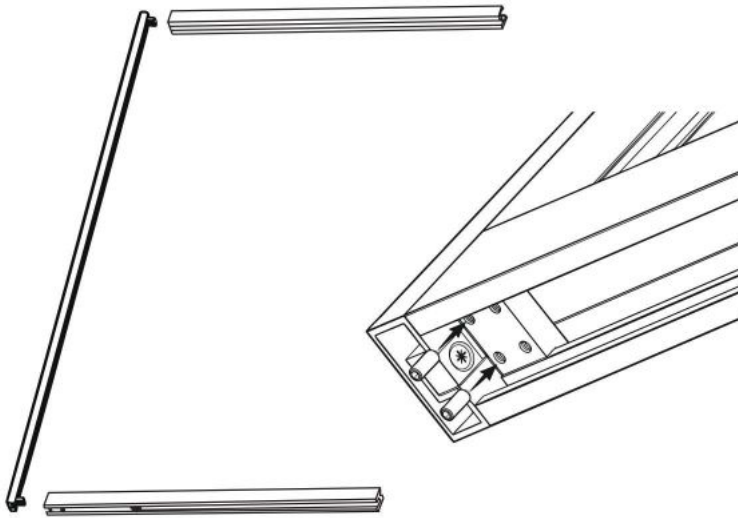
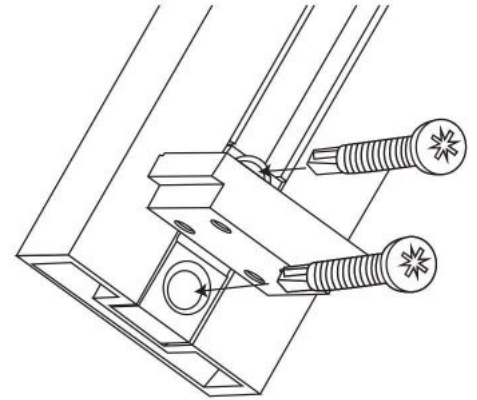
Concealed hydraulic pivot framed door system

CHPF

Step 1: Cut side frame length

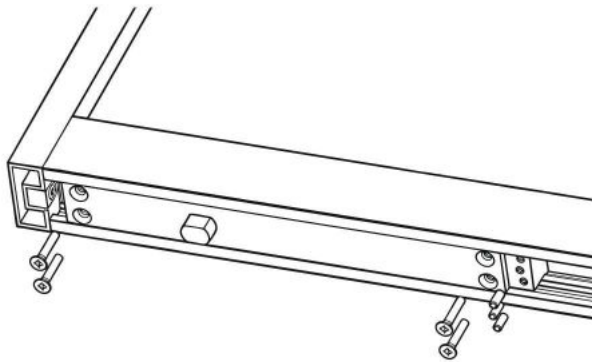
Step 2: Cut top/bottom frame length

Step 3: Use self-tapping screws to install the angle brackets at the four corners of the side frame.

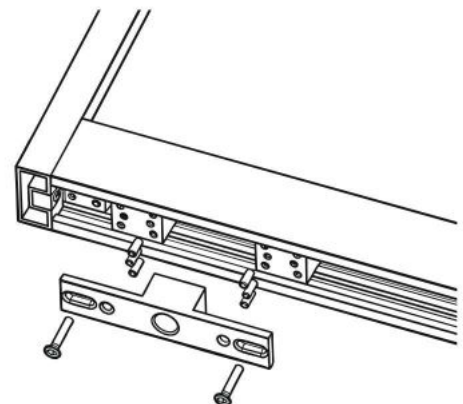


Step 4: Insert the top frame and bottom frame into the angle brackets, and tighten them with set screws.

Step 5: Secure the hydraulic unit to the bottom frame using the locking block.



Step 6: Secure the upper pivot bracket to the top frame using the locking block.



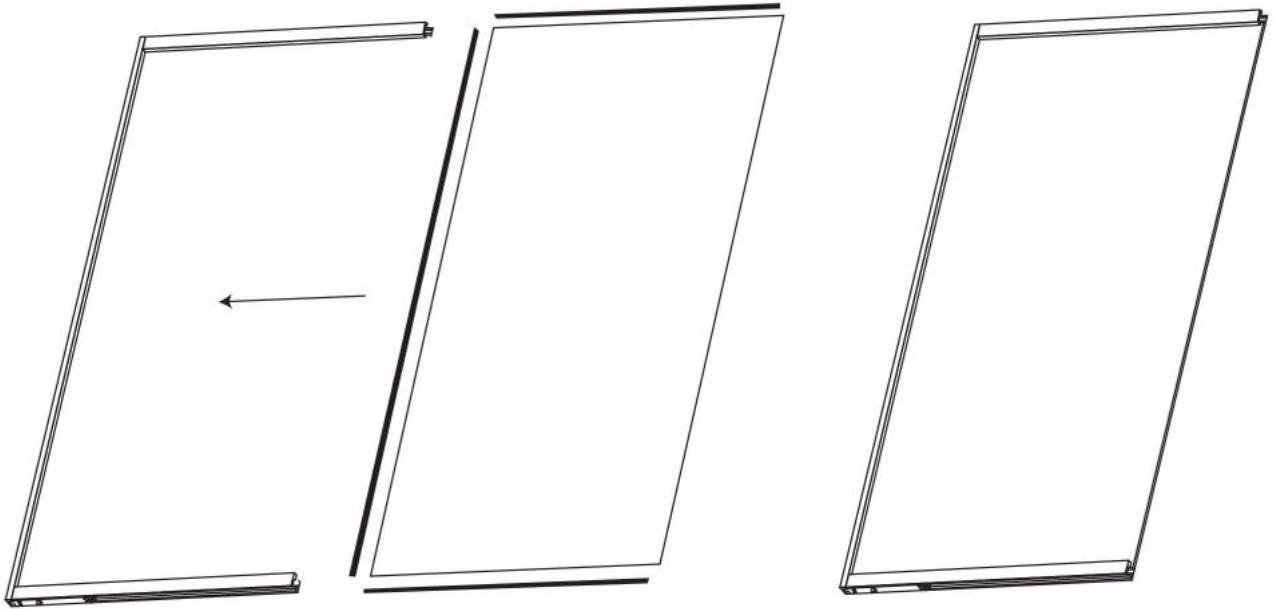


Installation Instructions

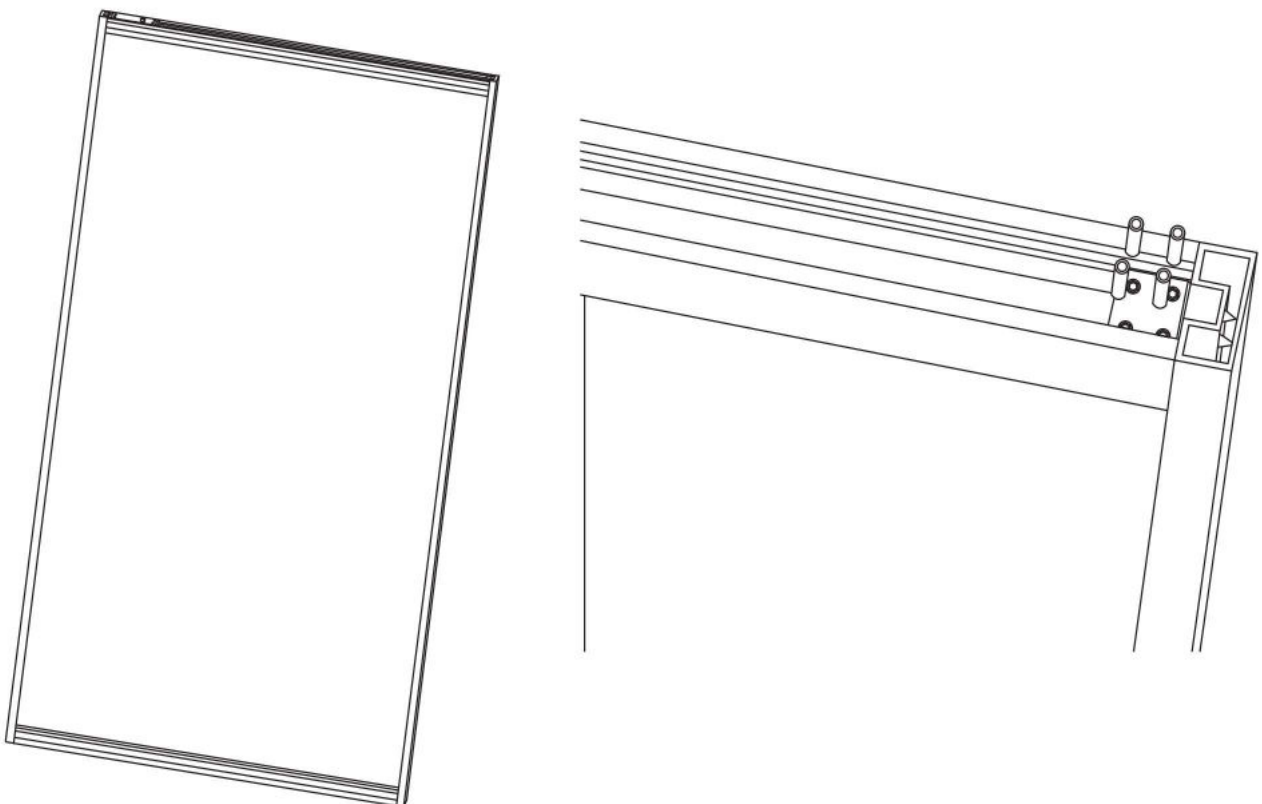
Concealed hydraulic pivot framed door system

CHPF

Step 7: Install glazing rubber to 3 sides of the glass panel



Step 8: Attach adhesive strips to the remaining frame piece
Fix it to the upper and lower frames using the locking screws





Installation Instructions

Concealed hydraulic pivot framed door system

CHPF

<p>1</p> <p>Drill mounting holes for the base plate</p>	<p>2</p> <p>Install expansion anchors</p>	<p>3 Install the base plate</p>
<p>4</p> <p>Drill mounting holes for the top pivot</p>	<p>5 Rotate the cam of the hydraulic main body</p> <p>Use a wrench to rotate the cam 90° (Cam rotation direction: As shown, the cam head faces the side of the door where the base plate is installed)</p>	<p>6 Secure the main body</p>
<p>7 Install the top pivot</p> <p>Countersunk self-tapping screws with cross recess: ST3.5×25</p>	<p>8 After adjusting the top pivot seat, fully tighten the screws to secure it.</p> <p>Countersunk self-tapping screws with cross recess: ST3.9×25</p> <p>After adjusting the top pivot, fully tighten the screws to secure it.</p>	<p>9 Base plate adjustment diagram</p>
<p>10 Top pivot adjustment diagram</p>	<p>● Functional Schematic</p> <p>● Product Features</p> <ol style="list-style-type: none"> 40° Bi-directional Door Operation Hold-Open at 80°-90° & 120°-140° 6 N-m Closing Force Operating Temp: -10°C to 60°C 	