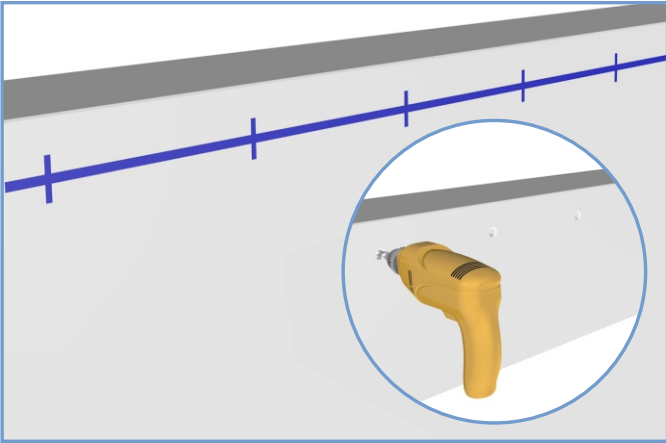
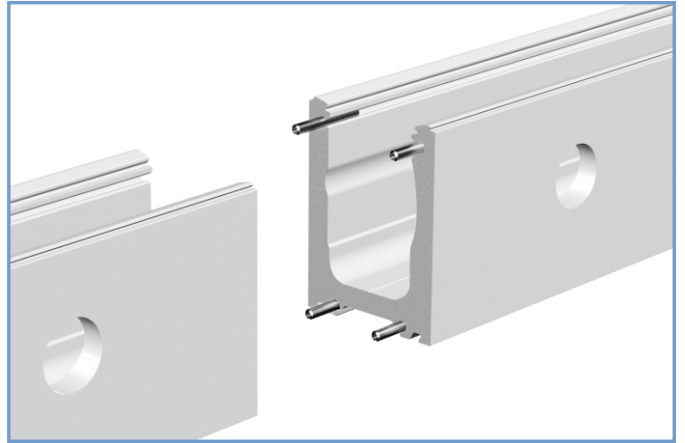


SIDE FIXED BASE RAIL (106SFUC) INSTALLATION INSTRUCTION

- ① Mark position of holes as per your base rail and drill holes.



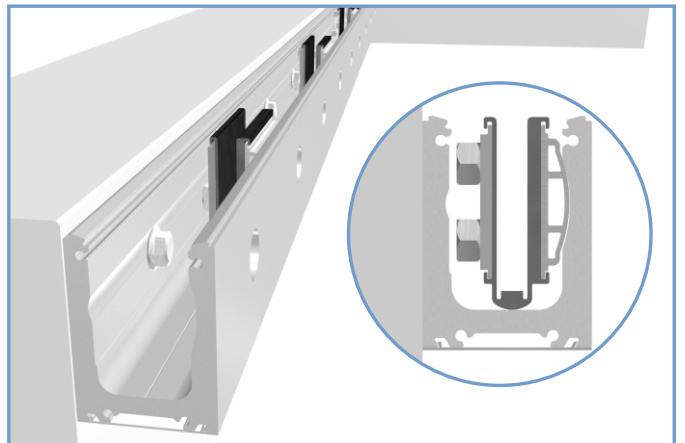
- ② Connect the base rail with aligning pins.



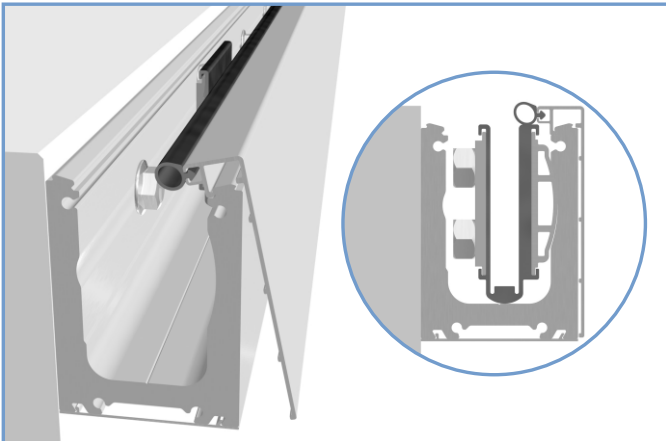
- ③ Position base rail and secure bolts with torque.



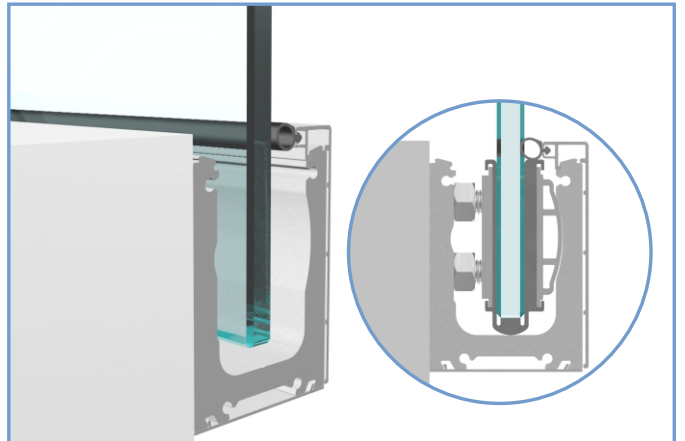
- ④ Install clamping kits.



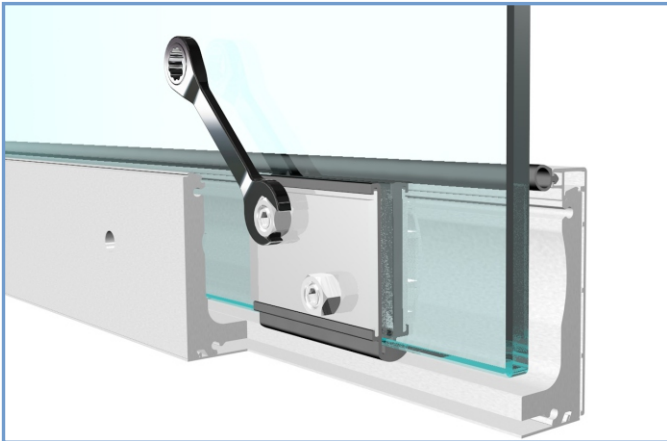
- ⑤ Fit cladding on the outer side of base rail.



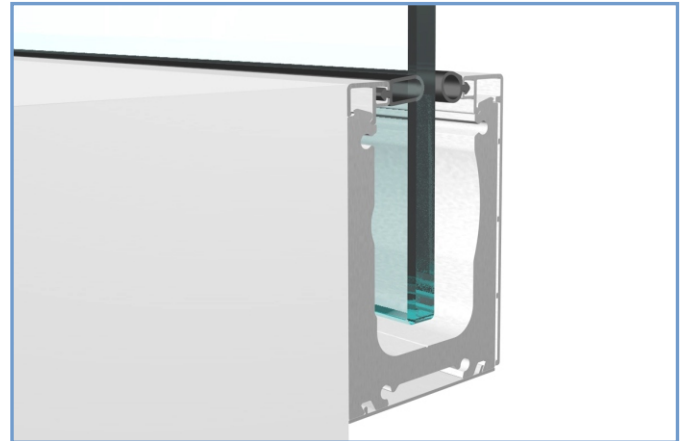
- ⑥ Fit glass. Position glass vertically, then wind nuts to secure.



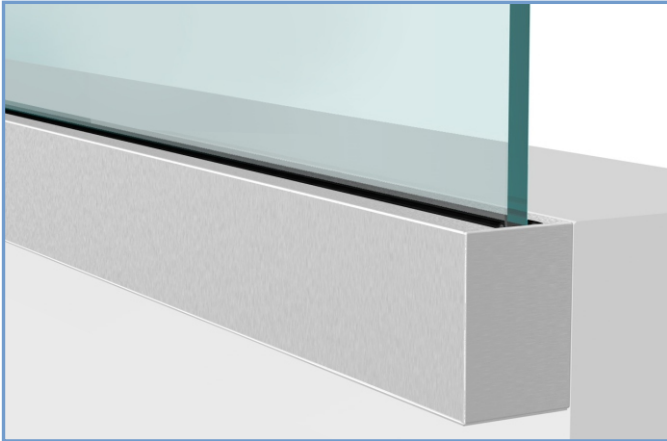
- 7 If further adjustment required, loosen and tighten nuts to tilt glass.



- 8 Fit short cover on the inner side of base rail.



- 9 Fit end caps on the two ends of base rail.



- 10 Fit glass spacers between glass panels.

