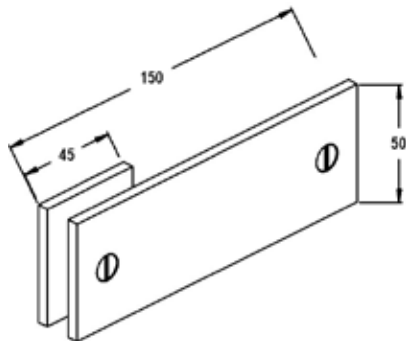
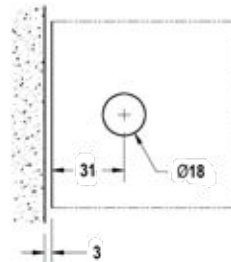




Product Image



Dimensions



Please note: Hole position & wall clearance should be checked and possibly altered depending on application

Glass Preparation

DETAILS

180° Glass to Wall Bracket

- Suitable for 10mm glass
- Full square backplate
- Supplied with Slotted & Hex Head machine screws
- Wall fix screws sold separately

FINISHES

- Polished Chrome
- Other finishes may be available

Base Material: Brass