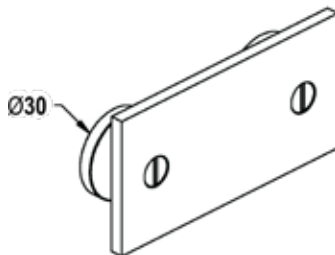


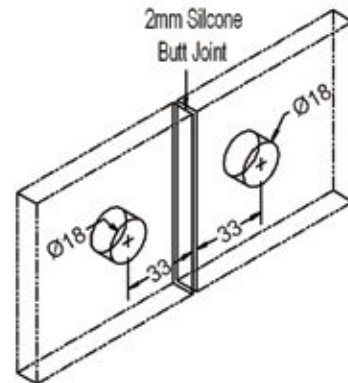


Product Image

Other dimensions same  
as MBR180D above



Dimensions



Glass Preparation

## DETAILS

### 180° Glass to Glass Bracket

- Suitable for 10mm glass
- Button format
- Supplied with Slotted & Hex Head machine screws

## FINISHES

- Polished & Brushed Satin Chrome
- Polished & Satin Gold
- Matt Black
- Brushed Nickel
- Other finishes available by request

Base Material: Brass